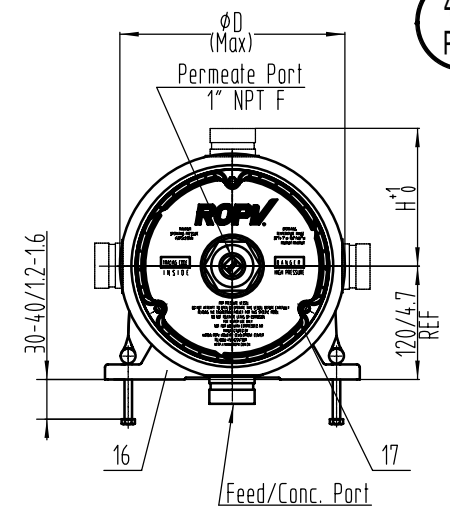
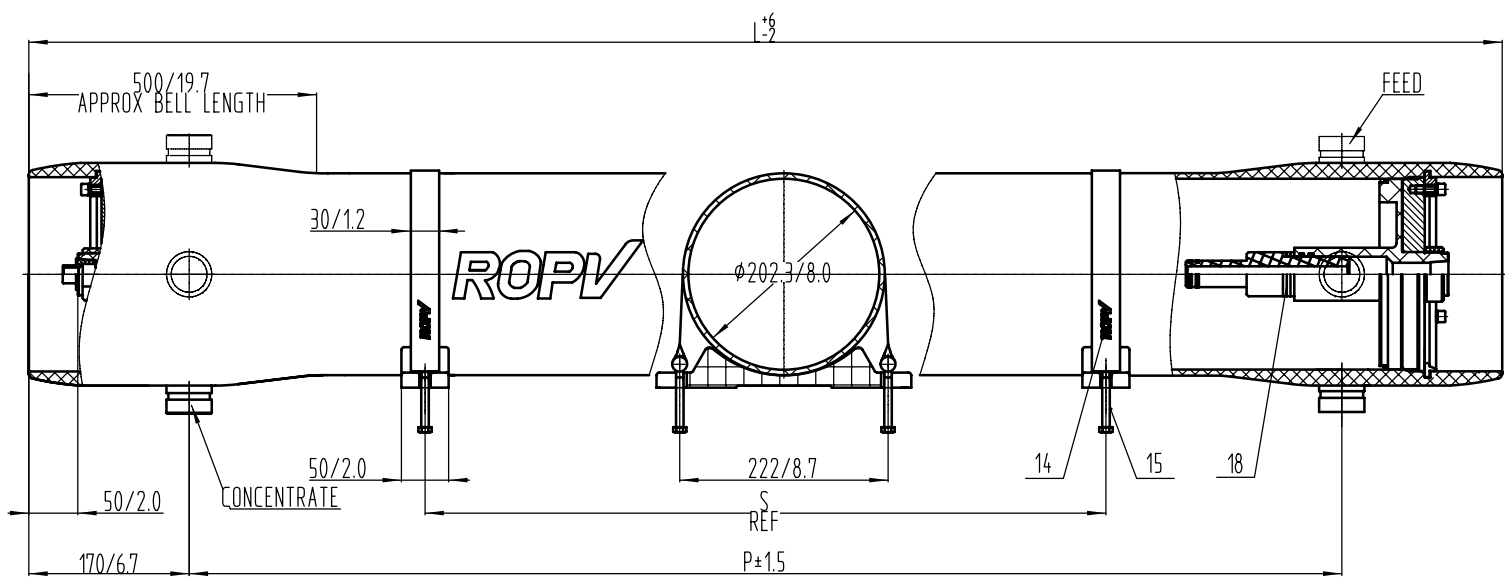


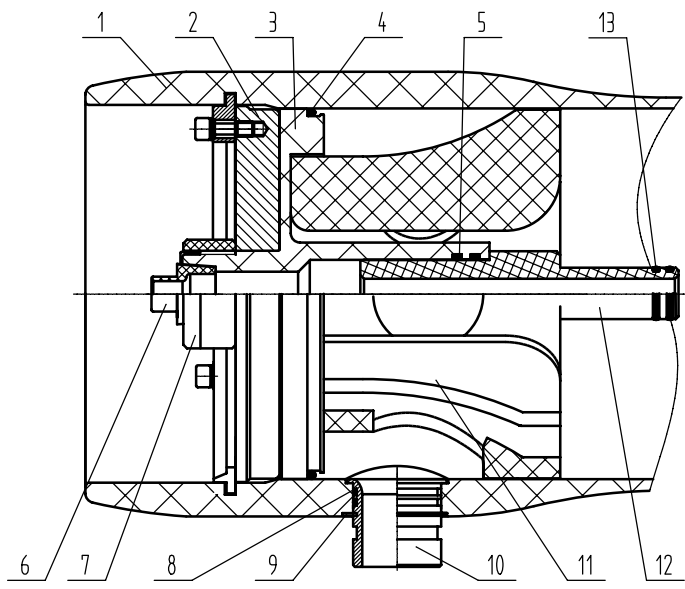
450
PSI



- 1 DESIGN PRESSURE 450PSI(3.1MPa).
- 2 DESIGN TEMPERATURE 150°F(66°C).
- 3 MIN ALLOWABLE TEMPERATURE 20°F(-7°C).
- 4 WORKING MEDIUM, WATER 3-11.
- 5 DIMENSIONS IN MM(INCHES APPROX).
- 6 INTERNAL PERMEATE PRESSURE NOT TO EXCEED 125PSI(0.88Mpa).
- 7 THE QUANTITY OF ITEM NO.8 9 AND 10,DEPEND ON THE FEED/CONC. PORTS CONFIGURATION.
- 8 ITEM 11 CONCENTRATE SIDE ONLY.
- 9 ITEM 18 FEED SIDE ONLY.
- 10 PLEASE OPERATE IN ACCORDANCE WITH USER MANUAL.
- 11 FOR REFERENCE ONLY,NOT FOR CONSTRUCTION UNLESS CERTIFIED.
- 12 SPARE PARTS FORM JUST FOR REFERENCE,SPECIFIC FORM OF THE SPARE PART DRAWING PREVAIL,SUBJECT TO CHANGE WITHOUT NOTICE.
- 13 ALL PARTS CAN BE RECYCLED EXCEPT FRP SHELL.

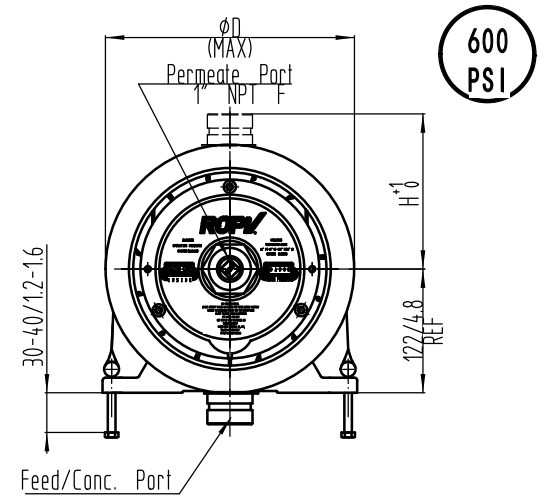
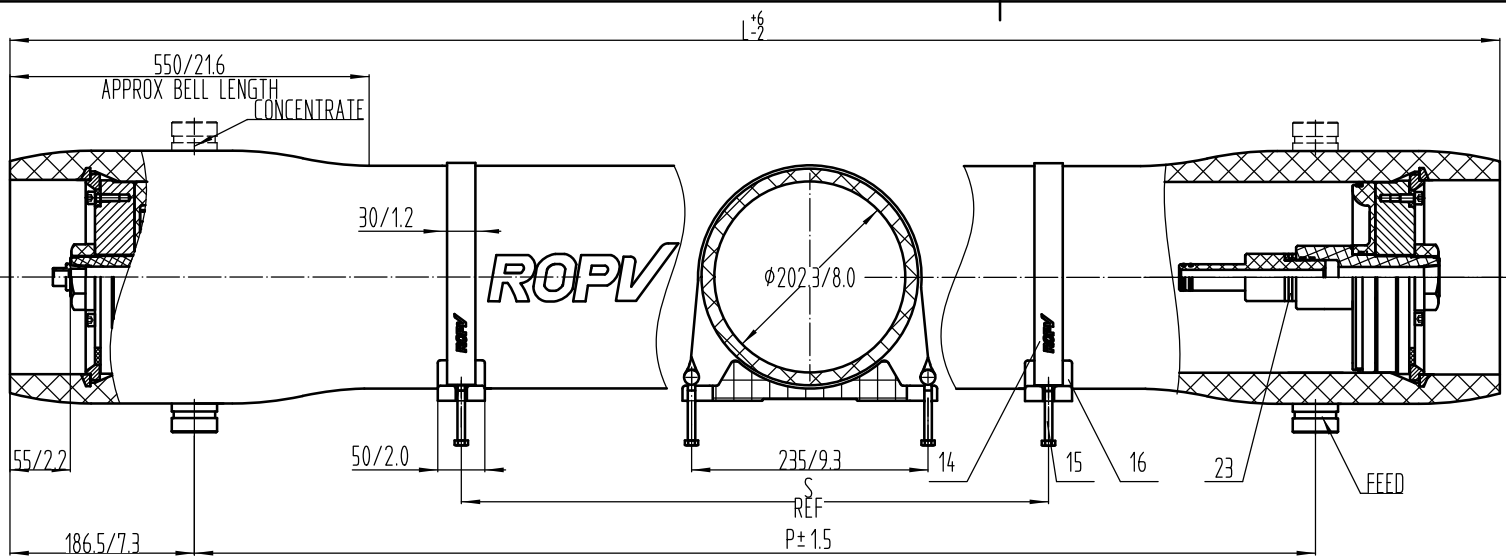
F/C.Port	D(MM/IN)	H(MM/IN)
1.5"(DN40)	248/9.7	148/5.8
2"(DN50)	252/9.9	151/5.9
2.5"(DN65)	262/10.3	156/6.1

REF	PART NUMBER	DESCRIPTION	QTY	MATERIAL	NOTE
18	A8023.1	Shim	0-3	Engineering Thermoplastic	
17	A8018.4	Locking Kit Segment Assy	6	304SS,including Screw and Pad	
16	A8016	Saddle	2-3	Rubber	
15	GB/T5782 M8x90	Strap Screw	4-6	304SS	
14	A8014.2	Strap	2-3	304SS-Brass and Rubber	
13	23.6x2.65G GB/T3452.1	O-ring	4	EPDM	
12	A8012.1	Adapter	2	Engineering Thermoplastic	
11	A8011.1	Thrust Ring	1	Engineering Thermoplastic	
10	S8045FDZ) S8045E(DZ) S8045D(DZ)	2.5"Feed/Conc. Port 2"Feed/Conc. Port 1.5"Feed/Conc. Port	2-4	316LSS	OPT
09	A8009.1-3	Retaining Ring	2-4	304SS	
08	69(65)x3.55G GB/T3452.1 54.5x2.65G GB/T3452.1 42.5x2.65G GB/T3452.1	O-ring	4-8	EPDM	
07	A8007	Permeate Port Locknut	2	Engineering Thermoplastic	
06	A8006	Plug	1	Engineering Thermoplastic	
05	36.5x3.55G GB/T3452.1	O-ring	4	EPDM	
04	190x5.3G GB/T3452.1	O-ring	2	EPDM	
03	A8003.4	Sealing Plate	2	Engineering Thermoplastic.304SS Ring	
02	A8002.2	Bearing Plate	2	Aluminium Alloy-Hard anodized	
01	S8013.1-8	Pressure Shell	1	FRP	



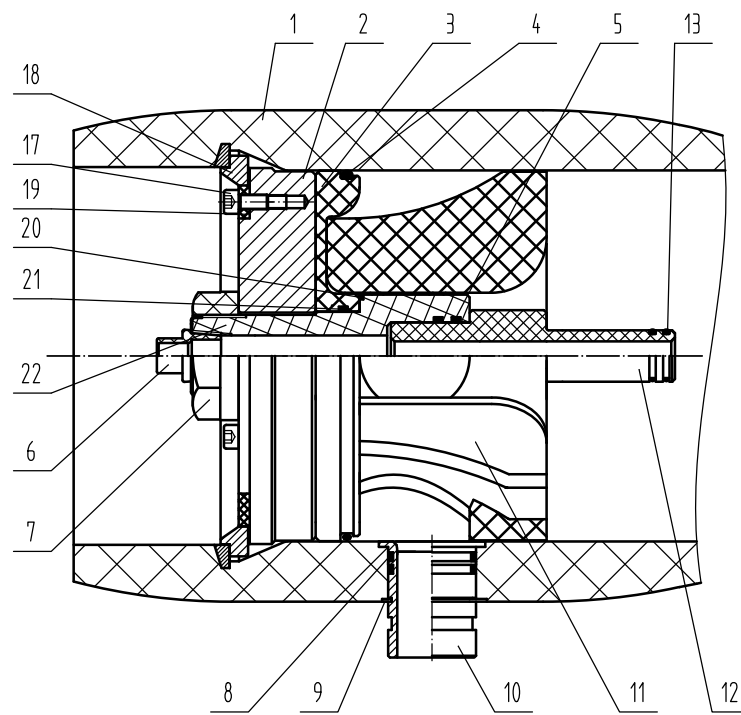
Shell length code	Shell number	L L.O.A MM/IN	P Port to port MM/IN	S Span MM/IN	Approx assembly weight (1.5"Feed/Conc. Port) KG/LB
1	S8013.1	1534/60.4	1194/47	500/19.7	37/82
2	S8013.2	2550/100.4	2210/87	1455/57.3	47/104
3	S8013.3	3566/140.4	3226/127	2064/81.3	57/126
4	S8013.4	4582/180.4	4242/167	1600/63x2	67/148
5	S8013.5	5598/220.4	5258/207	2000/78.7x2	77/170
6	S8013.6	6614/260.4	6274/247	2358/92.8x2	87/192
7	S8013.7	7630/300.4	7290/287	2865/112.8x2	97/214
8	S8013.8	8646/340.4	8306/327	3373/132.8x2	107/236

ROPV	DESIGN	Harbin ROPV Industry Development Center	
	REVIEW	MODEL	R8040B450S PRESSURE VESSEL
	APPROVAL	DRG	R8040B450S-00
		REV	10.2.3



F/C. PORT	D(MM/IN)	H(MM/IN)
1.5"(DN40)	258/10.1	153/6.0
2"(DN50)	260/10.2	153/6.0
2.5"(DN65)	268/10.5	158/6.2

23	A8023.1 A8023.1C	Shim	0-4	Engineering Thermoplastic	
22	A8022.3	Permeate Port	2	Engineering Thermoplastic. 316LSS Ring	
21	47.5x3.55G GB/T3452.1	O-ring	2	EPDM	
20	58x2.65G GB/T3452.1	O-ring	2	EPDM	
19	A8020	Securing Ring	2	Engineering Thermoplastic	
18	A8018.2	Locking Kit Segment	2 Set	316SS	
17	GB/T70.1 M8x20	Locking Segment Screw	6	316SS	
16	A8016	Saddle	2-3	Rubber	
15	GB/T5782 M8x90	Strap Screw	4-6	316SS	
14	A8014.3-A	Strap	2-3	316SS-Brass and Rubber	
13	23.6x2.65G GB/T3452.1	O-ring	4	EPDM	
12	A8012.3	Adapter	2	Engineering Thermoplastic	
11	A8011.3	Thrust Ring	1	Engineering Thermoplastic	
10	S8060F.US(DZ) S8060E.US(DZ) S8060D.US(DZ)	2.5"Feed/Conc. Port 2"Feed/Conc. Port 1.5"Feed/Conc. Port	2-4	Super Duplex Stainless Steel	OPT
09	A8009.1-3	Retaining Ring	2-4	316SS	
08	65x3.55G GB/T3452.1 53x3.55G GB/T3452.1 41.2x3.55G GB/T3452.1	O-ring	4-8	EPDM	
07	A8007	Permeate Port Locknut	2	Engineering Thermoplastic	
06	A8006	Plug	1	Engineering Thermoplastic	
05	36.5x3.55G GB/T3452.1	O-ring	4	EPDM	
04	190x5.3G GB/T3452.1	O-ring	2	EPDM	
03	A8003.3-H	Parted Sealing Plate	2	Engineering Thermoplastic	
02	A8002.7A(16)	Bearing Plate	2	Aluminium Alloy-Hard anodized	S(16)
01	S8004.1-8	Pressure Shell	1	FRP-316SS Embedded ring wound in place	S (C)
REF	PART NUMBER	DESCRIPTION	QTY	MATERIAL	NOTE



- DESIGN PRESSURE 600PSI(4.1MPa).
- DESIGN TEMPERATURE 150°F(65°C).
- MIN ALLOWABLE TEMPERATURE 14°F(-10°C).
- WORKING MEDIUM,SEA WATER OR BRACKISHWATER,pH RANGE 3-11.
- DIMENSIONS IN MM(INCHES APPROX).
- INTERNAL PERMEATE PRESSURE NOT TO EXCEED 125PSI(0.88MPa).
- THE QUANTITY OF ITEM NO.8 9 AND 10,DEPEND ON THE FEED/CONC. PORTS CONFIGURATION.
- ITEM 11 CONCENTRATE SIDE ONLY.
- ITEM 23 FEED SIDE ONLY.
- PLEASE OPERATE IN ACCORDANCE WITH USER MANUAL.
- FOR REFERENCE ONLY,NOT FOR CONSTRUCTION UNLESS CERTIFIED.
- SPARE PARTS FORM JUST FOR REFERENCE,SPECIFIC FORM OF THE SPARE PART DRAWING PREVAIL,SUBJECT TO CHANGE WITHOUT NOTICE.
- ALL PARTS CAN BE RECYCLED EXCEPT FRP SHELL.

Shell length code	Shell number	L L.O.A MM/IN	P Port to port MM/IN	S Span MM/IN	Approx assembly weight (1.5"Feed/Conc. Port) KG/LB
1	S8004.1	1516/59.7	1143/45	440/17.3	49/108
2	S8004.2	2532/99.7	2159/85	1455/57.3	62/137
3	S8004.3	3548/139.7	3175/125	2064/81.3	75/165
4	S8004.4	4564/179.7	4191/165	1600/63x2	88/194
5	S8004.5	5580/219.7	5207/205	2000/78.7x2	101/223
6	S8004.6	6596/259.7	6223/245	2358/92.8x2	114/251
7	S8004.7	7612/299.7	7239/285	2865/112.8x2	127/280
8	S8004.8	8628/339.7	8255/325	3373/132.8x2	140/309

ROPV

DESIGN

REVIEW

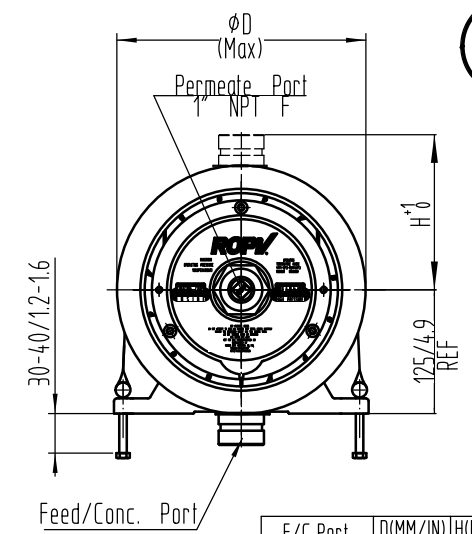
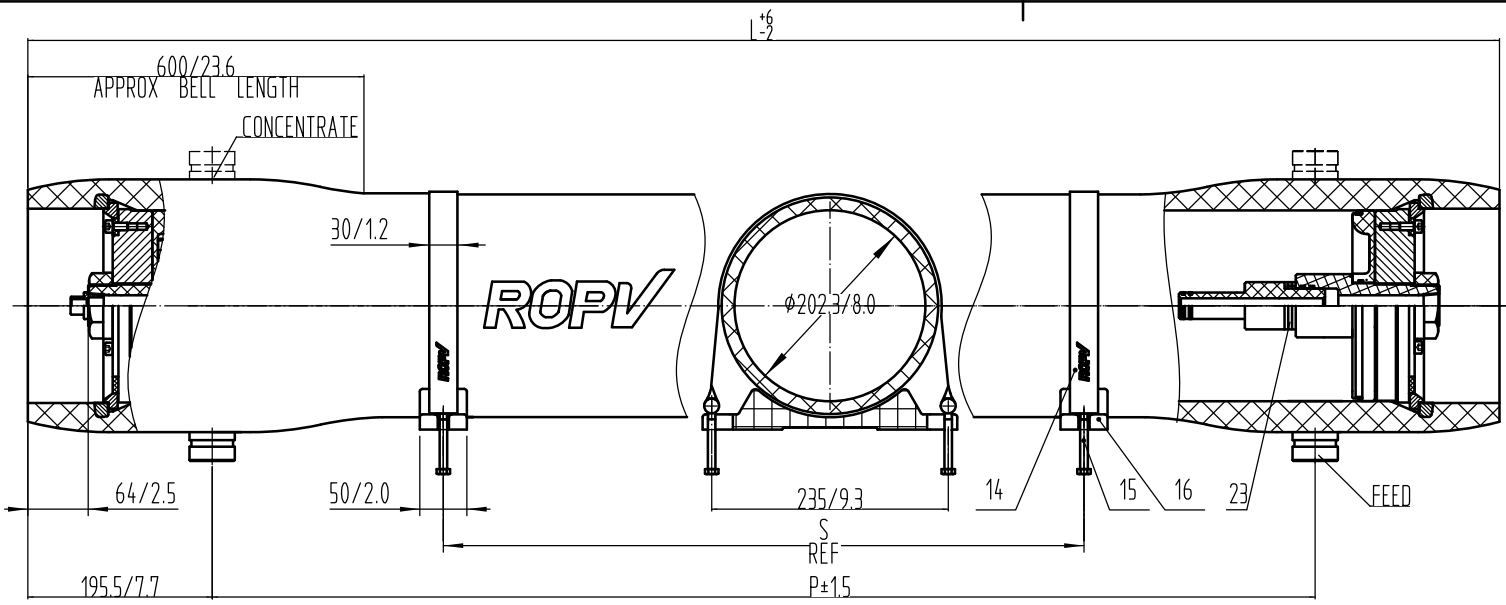
APPROVAL

Harbin ROPV Industrial Co.,Ltd.

MODEL R8040B600S PRESSURE VESSEL

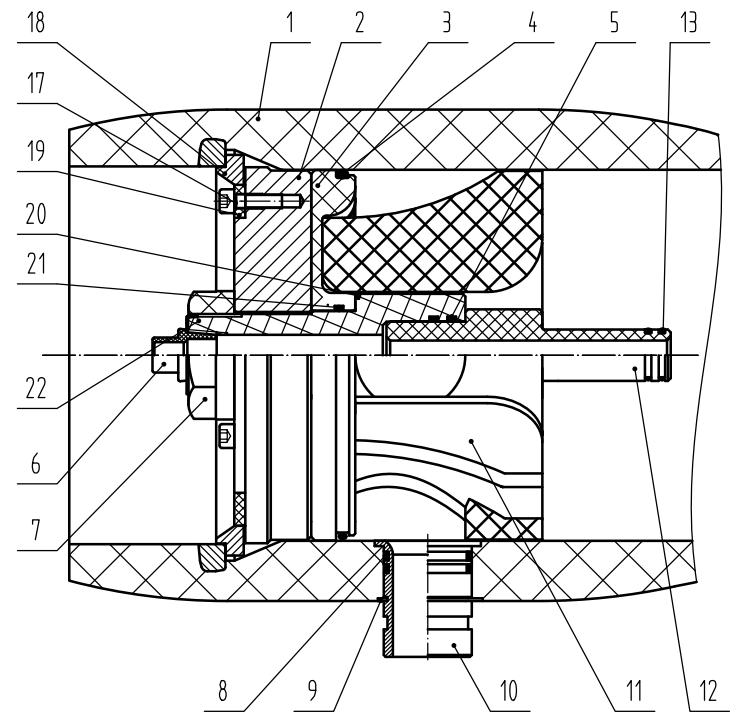
DRG R8040B600S-00 REV 10.2.4A

1000
PSI



F/C Port	D(MM/IN)	H(MM/IN)
1.5" (DN40)	274/10.7	161/6.3
2" (DN50)	278/10.9	164/6.4
2.5" (DN65)	284/11.1	166/6.5

23	A8023.1 A8023.1C	Shim	0~4	Engineering Thermoplastic	
22	A8022.3	Permeate Port	2	Engineering Thermoplastic.316LSS Ring	
21	47.5x3.55G GB/T3452.1	O-ring	2	EPDM	
20	58x2.65G GB/T3452.1	O-ring	2	EPDM	
19	A8020	Securing Ring	2	Engineering Thermoplastic	
18	A8018.2	Locking Kit Segment	2 Set	316SS	
17	GB/T70.1 M8x20	Locking Segment Screw	6	316SS	
16	A8016	Saddle	2~3	Rubber	
15	GB/T5782 M8x90	Strap Screw	4~6	316SS	
14	A8014.3-B	Strap	2~3	316SS-Brass and Rubber	
13	23.6x2.65G GB/T3452.1	O-ring	4	EPDM	
12	A8012.3	Adapter	2	Engineering Thermoplastic	
11	A8011.3	Thrust Ring	1	Engineering Thermoplastic	
10	S80100F.US(DZ) S80100E.US(DZ) S80100D.US(DZ)	2.5"Feed/Conc. Port 2"Feed/Conc. Port 1.5"Feed/Conc. Port	2~4	Super Duplex Stainless Steel	OPT
09	A8009.1-3	Retaining Ring	2~4	316SS	
08	65x3.55G GB/T3452.1 53x3.55G GB/T3452.1 41.2x3.55G GB/T3452.1	O-ring	4~8	EPDM	
07	A8007	Permeate Port Locknut	2	Engineering Thermoplastic	
06	A8006	Plug	1	Engineering Thermoplastic	
05	36.5x3.55G GB/T3452.1	O-ring	4	EPDM	
04	190x5.3G GB/T3452.1	O-ring	2	EPDM	
03	A8003.3-H	Parted Sealing Plate	2	Engineering Thermoplastic	
02	A8002.7(16)	Bearing Plate	2	Aluminium Alloy-Hard Anodized	S(16)
01	S8005.1-8	Pressure Shell	1	FRP-316SS Embedded ring wound in place	S
Ref.	Part Number	Description	Qty.	Material	Note



- DESIGN PRESSURE 1000PSI(6.9MPa).
- DESIGN TEMPERATURE 150°F(65°C).
- MIN ALLOWABLE TEMPERATURE 14°F(-10°C).
- WORKING MEDIUM,SEA WATER OR BRACKISHWATER,pH RANGE 3-11.
- DIMENSIONS IN MM(INCHES APPROX).
- INTERNAL PERMEATE PRESSURE NOT TO EXCEED 125PSI(0.88MPa).
- THE QUANTITY OF ITEM NO.8 9 AND 10,DEPEND ON THE FEED/CONC. PORTS CONFIGURATION.
- ITEM 11 CONCENTRATE SIDE ONLY.
- ITEM 23 FEED SIDE ONLY.
- PLEASE OPERATE IN ACCORDANCE WITH USER MANUAL.
- FOR REFERENCE ONLY,NOT FOR CONSTRUCTION UNLESS CERTIFIED.
- SPARE PARTS FORM JUST FOR REFERENCE,SPECIFIC FORM OF THE SPARE PART DRAWING PREVAIL,SUBJECT TO CHANGE WITHOUT NOTICE.
- ALL PARTS CAN BE RECYCLED EXCEPT FRP SHELL.

Shell length code	Shell number	L L.O.A MM/IN	P Port to port MM/IN	S Span MM/IN	Approx assembly weight (1.5"Feed/Conc. Port) KG/LB
1	S8005.1	1534/60.4	1143/45	340/13.4	61/135
2	S8005.2	2550/100.4	2159/85	1356/53.4	78/172
3	S8005.3	3566/140.4	3175/125	2064/81.3	95/210
4	S8005.4	4582/180.4	4191/165	1600/63x2	112/247
5	S8005.5	5598/220.4	5207/205	2000/78.7x2	129/285
6	S8005.6	6614/260.4	6223/245	2358/92.8x2	146/322
7	S8005.7	7630/300.4	7239/285	2865/112.8x2	163/360
8	S8005.8	8646/340.4	8255/325	3373/132.8x2	180/397

DESIGN

REVIEW

APPROVAL

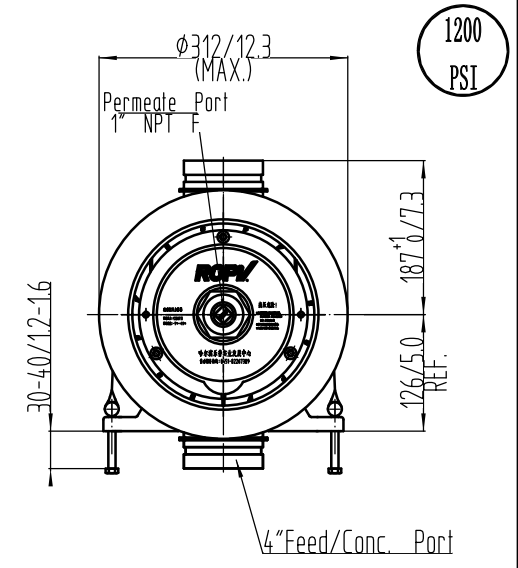
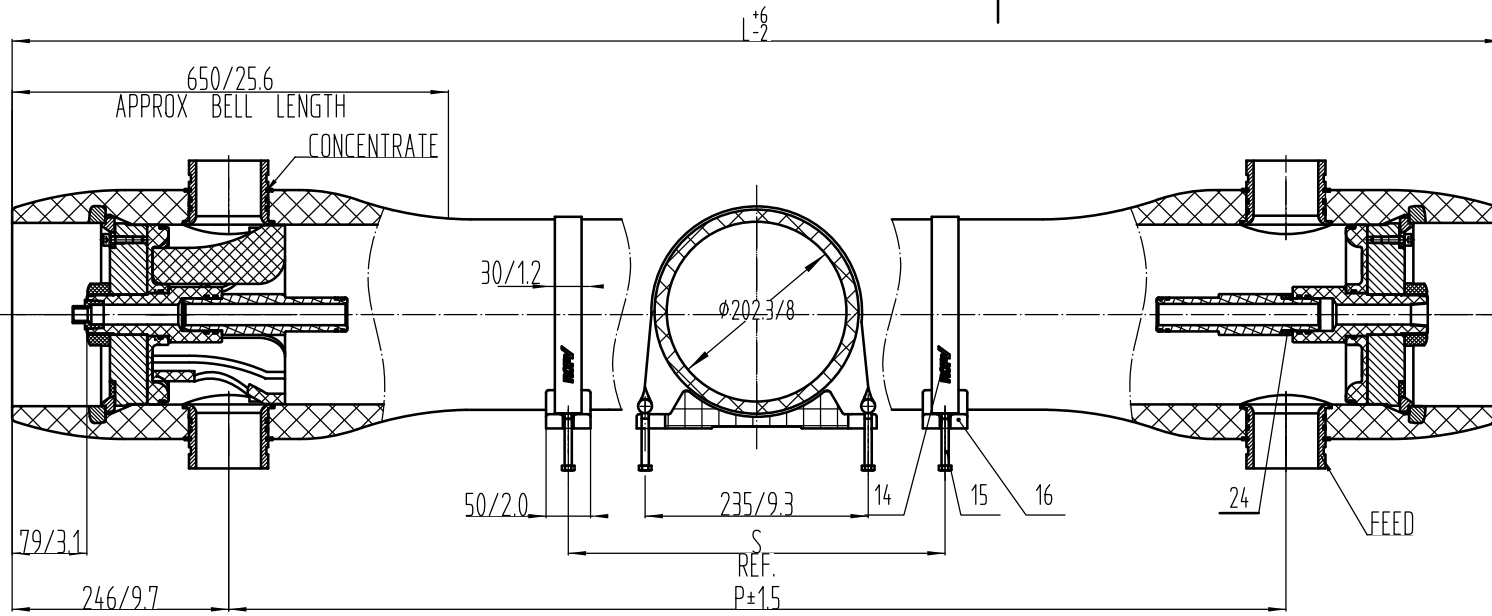
Harbin ROPV Industrial Co.,Ltd.

MODEL
R8040B1000S PRESSURE VESSEL

DRG
R8040B1000S-00

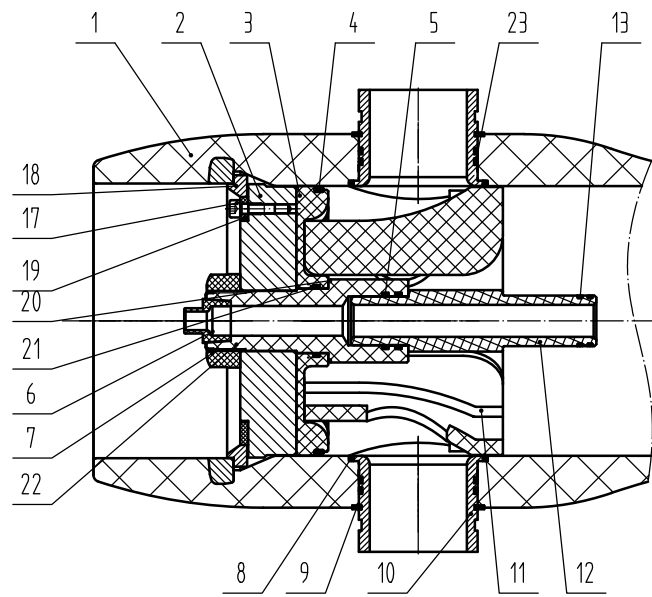
REV
10.2.4A

ROPV



24	A8023.1 A8023.1C	Shim	0-4	Engineering Thermoplastic	
23	106x3.55G GB/T3452.1	O-ring	4-8	EPDM	
22	A8022.3T	Permeate Port	2	Engineering Thermoplastic, 316LSS Ring	S
21	47.5x3.55G GB/T3452.1	O-ring	2	EPDM	
20	58x2.65G GB/T3452.1	O-ring	2	EPDM	
19	A8020	Securing Ring	2	Engineering Thermoplastic	
18	A8018.2	Locking Kit Segment	2 Set	316SS	
17	GB/T70.1 M8x20	Securing Ring Screw	6	316SS	
16	A8016	Saddle	2-3	Rubber	
15	GB/T5782 M8x90	Strap Screw	4-6	316SS	
14	A8014.3-B	Strap	2-3	316SS-Brass and Rubber	
13	23.6x2.65G GB/T3452.1	O-ring	4	EPDM	
12	A8012.6	Adapter	2	Engineering Thermoplastic	
11	A8011.5T	Thrust Ring	1	Engineering Thermoplastic	S
10	S81201.US(DZ)	4"Feed/Conc. Port	2-4	Super Duplex Stainless Steel	S
09	A8009.5	Retaining Ring	2-4	316SS	
08	125x3.55G GB/T3452.1	O-ring	2-4	EPDM	
07	A8007	Permeate Port Locknut	2	Engineering Thermoplastic	
06	A8006	Plug	1	Engineering Thermoplastic	
05	36.5x3.55G GB/T3452.1	O-ring	4	EPDM	
04	190x5.3G GB/T3452.1	O-ring	2	EPDM	
03	A8003.3-H	Sealing Plate	2	Engineering Thermoplastic	
02	A8002.10(16)	Bearing Plate	2	Aluminium Alloy-Hard anodized	S(16)
01	S8006.17-24	Pressure Shell	1	FRP-316SS Embedded ring wound in place	S
REF.	PART NUMBER	DESCRIPTION	QTY.	MATERIAL	NOTE

IT IS ONLY FOR REFERENCE



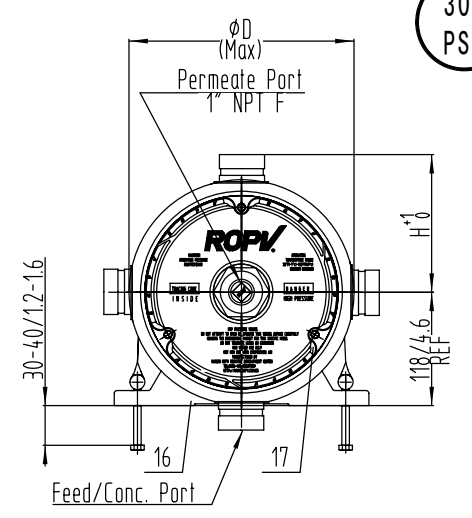
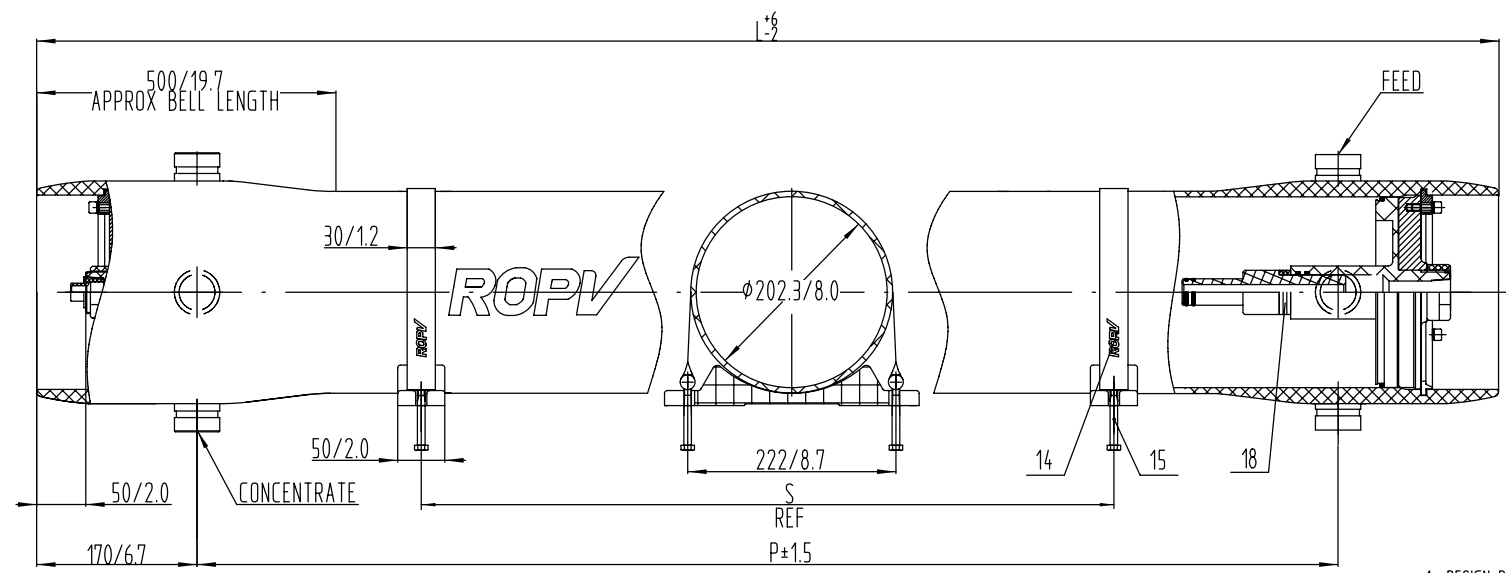
- DESIGN PRESSURE 1200PSI(8.27MPa).
- DESIGN TEMPERATURE 150°F(65°C).
- MIN ALLOWABLE TEMPERATURE 14°F(-10°C).
- WORKING MEDIUM,SEA WATER OR BRACKISHWATER,pH RANGE 3-11.
- DIMENSIONS IN MM(INCHES APPROX).
- INTERNAL PERMEATE PRESSURE NOT TO EXCEED 125PSI(0.88MPa).
- THE QUANTITY OF ITEM NO.8 9 10 AND 23,DEPEND ON THE FEED/CONC. PORTS CONFIGURATION.
- ITEM 11 CONCENTRATE SIDE ONLY.
- ITEM 24 FEED SIDE ONLY.
- FOR REFERENCE ONLY,NOT FOR CONSTRUCTION UNLESS CERTIFIED.
- SPARE PARTS FORM JUST FOR REFERENCE,SPECIFIC FORM OF THE SPARE PART DRAWING PREVAIL,SUBJECT TO CHANGE WITHOUT NOTICE.
- ALL PARTS CAN BE RECYCLED EXCEPT FRP SHELL.

Shell length code	Shell number	L O.A MM/IN	P Port to port MM/IN	S Span MM/IN	Approx assembly weight KG/LB
1	S8006.17	1686/66.4	1194/47.0	320/12.6	120/265
2	S8006.18	2702/106.4	2210/87.0	1336/52.6	142/313
3	S8006.19	3718/146.4	3226/127.0	2064/81.3	164/362
4	S8006.20	4734/186.4	4242/167.0	1600/63x2	186/410
5	S8006.21	5750/226.4	5258/207.0	2000/78.7x2	208/459
6	S8006.22	6766/266.4	6274/247.0	2358/92.8x2	230/507
7	S8006.23	7782/306.4	7290/287.0	2865/112.8x2	252/556
8	S8006.24	8798/346.4	8306/327.0	3373/132.8x2	274/604

ROPV

DESIGN	Harbin ROPV Industrial Co.,Ltd.		
REVIEW	MODEL	R8040B1200S(4") PRESSURE VESSEL	
APPROVAL	DRG	R8040B1200S-00(4")	REV 10.2.4A

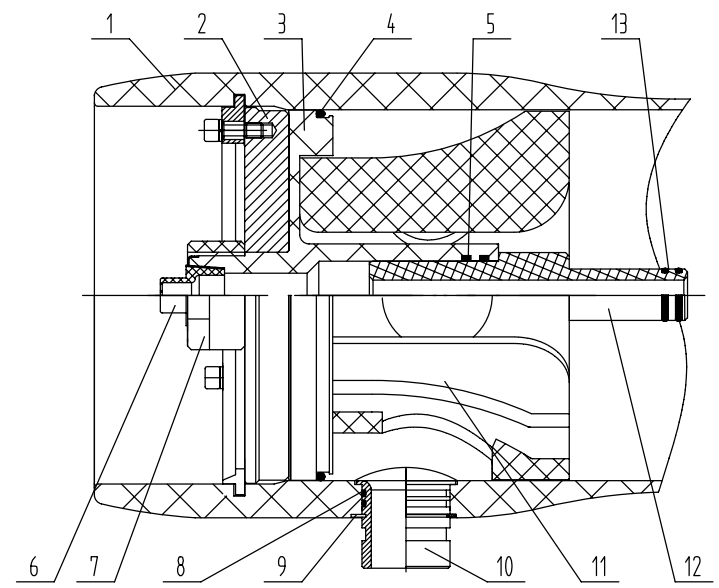
300
PSI



F/C PORT	D(MM/IN)	H(MM/IN)
1.5\"/>		

- DESIGN PRESSURE 300PSI(2.1MPa).
- DESIGN TEMPERATURE 150°F(66°C).
- MIN ALLOWABLE TEMPERATURE 20°F(-7°C).
- WORKING MEDIUM, WATER pH RANGE 3-11.
- DIMENSIONS IN MM(INCHES) APPROX.
- INTERNAL PERMEATE PRESSURE NOT TO EXCEED 125PSI(0.88MPa).
- THE QUANTITY OF ITEM NO.8, 9 AND 10, DEPEND ON THE FEED/CONC. PORTS CONFIGURATION.
- ITEM 11 CONCENTRATE SIDE ONLY.
- ITEM 18 FEED SIDE ONLY.
- PLEASE OPERATE IN ACCORDANCE WITH USER MANUAL.
- FOR REFERENCE ONLY, NOT FOR CONSTRUCTION UNLESS CERTIFIED.
- SPARE PARTS FORM JUST FOR REFERENCE, SPECIFIC FORM OF THE SPARE PART DRAWING PREVAIL, SUBJECT TO CHANGE WITHOUT NOTICE.
- ALL PARTS CAN BE RECYCLED EXCEPT FRP SHELL.

18	A8023.1	Shim	0~3	Engineering Thermoplastic	
17	A8018.4	Locking Kit Segment Assy	6	304SS including Screw and Spring Pad	
16	A8016	Saddle	2~3	Rubber	
15	GB/T5782 M8x90	Strap Screw	4~6	304SS	
14	A8014.1	Strap	2~3	304SS-Brass and Rubber	
13	23.6x2.65G GB/T3452.1	O-ring	4	EPDM	
12	A8012.1	Adapler	2	Engineering Thermoplastic	
11	A8011.1	Thrust Ring	1	Engineering Thermoplastic	
10	S8030F(DZ) S8030E(DZ) S8045D(DZ)	2.5\"/>			
09	A8009.1-3	Retaining Ring	2-4	304SS	
08	69(65)x3.55G GB/T3452.1 54.5x2.65G GB/T3452.1 42.5x2.65G GB/T3452.1	O-ring	4~8	EPDM	
07	A8007	Permeate Port Locknut	2	Engineering Thermoplastic	
06	A8006	Plug	1	Engineering Thermoplastic	
05	36.5x3.55G GB/T3452.1	O-ring	4	EPDM	
04	190x5.3G GB/T3452.1	O-ring	2	EPDM	
03	A8003.4	Sealing Plate	2	Engineering Thermoplastic, 304SS ring	
02	A8002.3 A8002.2	Bearing Plate	2	Aluminium Alloy-Hard anodized	ASME
01	S8012.1-8	Pressure Shell	1	FRP	
REF	PART NUMBER	DESCRIPTION	QTY	MATERIAL	NOTE



Shell length code	Shell number	L L.O.A MM/IN	P Port to port MM/IN	S Span MM/IN	Approx assembly weight (1.5\"/>
1	S8012.1	1534/60.4	1194/47	500/19.7	32/71
2	S8012.2	2550/100.4	2210/87	1455/57.3	39/86
3	S8012.3	3566/140.4	3226/127	2064/81.3	46/101
4	S8012.4	4582/180.4	4242/167	1600/63x2	53/117
5	S8012.5	5598/220.4	5258/207	2000/78.7x2	60/132
6	S8012.6	6614/260.4	6274/247	2358/92.8x2	67/148
7	S8012.7	7630/300.4	7290/287	2865/112.8x2	74/163
8	S8012.8	8646/340.4	8306/327	3373/132.8x2	81/179

ROPV DESIGN **Harbin ROPV Industry Development Center**

REVIEW MODEL **R8040B300S PRESSURE VESSEL**

APPROVAL DRG **R8040B300S-00** REV **10.2.3**