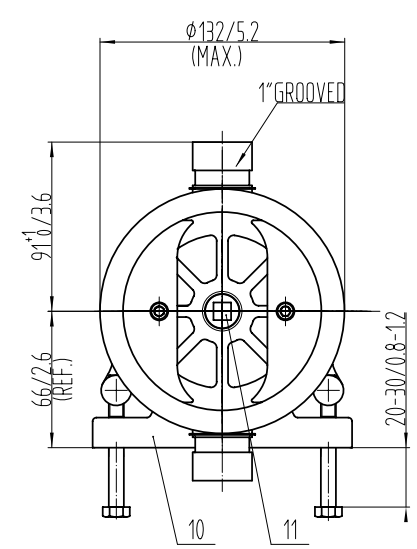
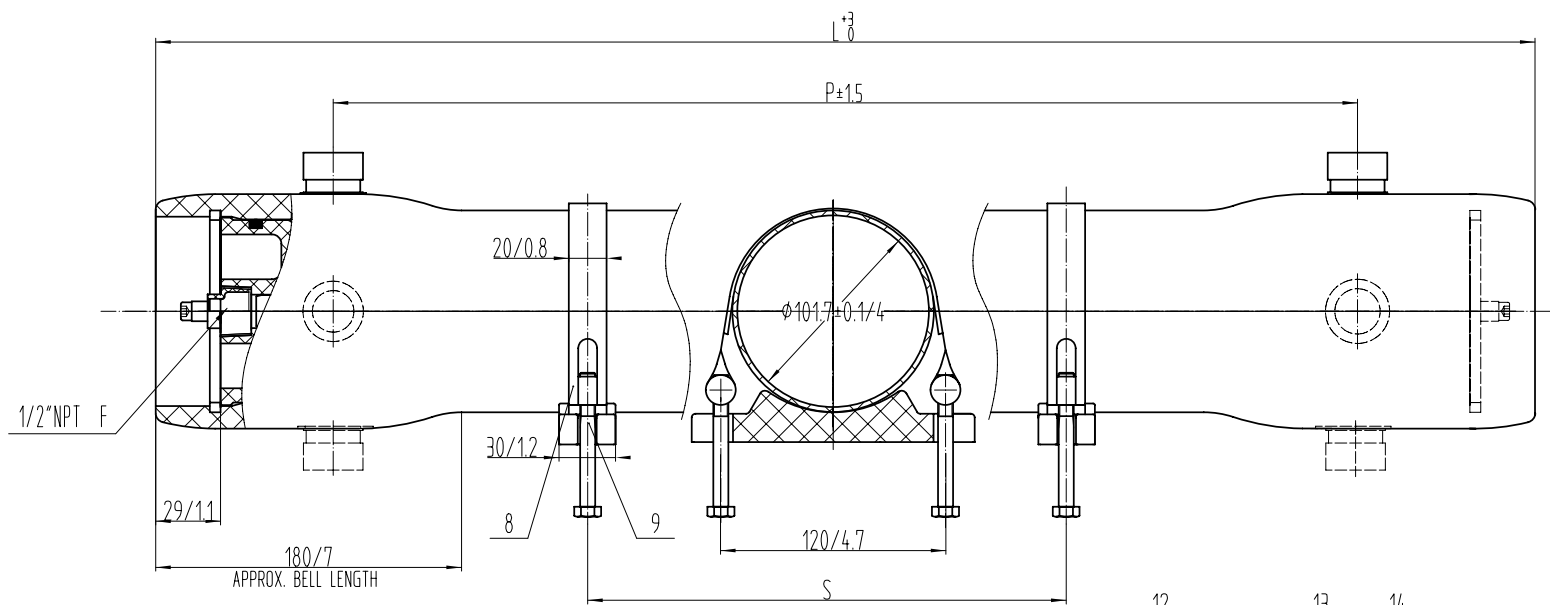
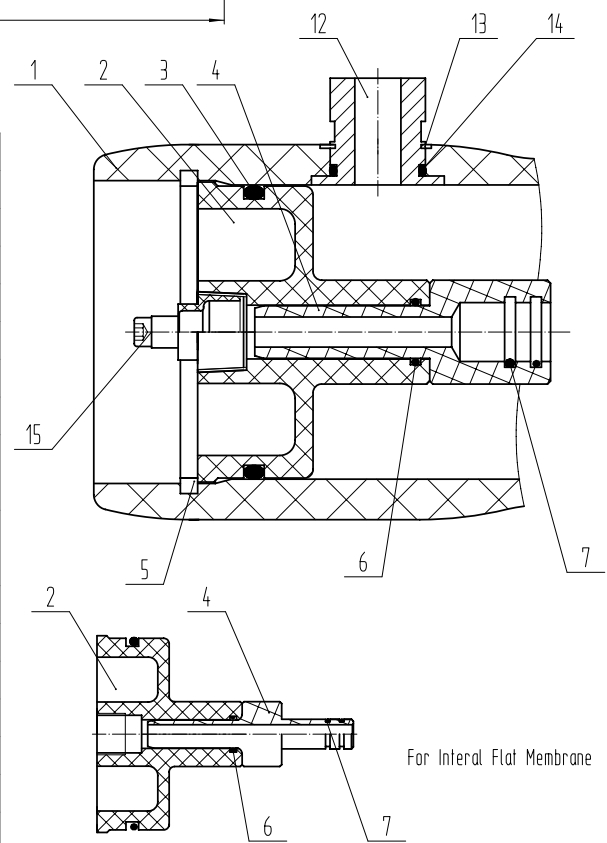


300
PSI



15	GB/T5782 M6x20	Locking Crescent Screw	4	304SS	
14	28x2.65G GB/T3452.1	O-Ring	2~4	EPDM	
13	4005	Retaining Ring	2~4	304SS	
12	4004	Feed/Conc. Part	2~4	316LSS	
11	4013.1	Plug	1	Engineering Thermoplastic	
10	F4010	Saddle	3	Engineering Thermoplastic	
9	GB/T5782 M6x60	Strap Screw	3	304SS	
8	F4008	Strap	3	304SS-Brass and Rubber	
7	12.5x1.8G GB/T3452.1	O-Ring	4	EPDM	
	19x2.65G GB/T3452.1				
6	14x2.65G GB/T3452.1	O-Ring	2	EPDM	
	17x2.65G GB/T3452.1				
5	4011	Locking Crescent	4	304SS	
4	4021.1	Adapter	2	Engineering Thermoplastic	For Internal Flat Membrane
	4021				
3	90x5.3G GB/T3452.1	O-Ring	2	EPDM	
2	4101.1	End Plate	2	Engineering Thermoplastic	For Internal Flat Membrane
	4101				
1	4012.4C-6C	Pressure Shell	1	FRP	
Ref.	Part Number	Description	Qty.	Material	Note

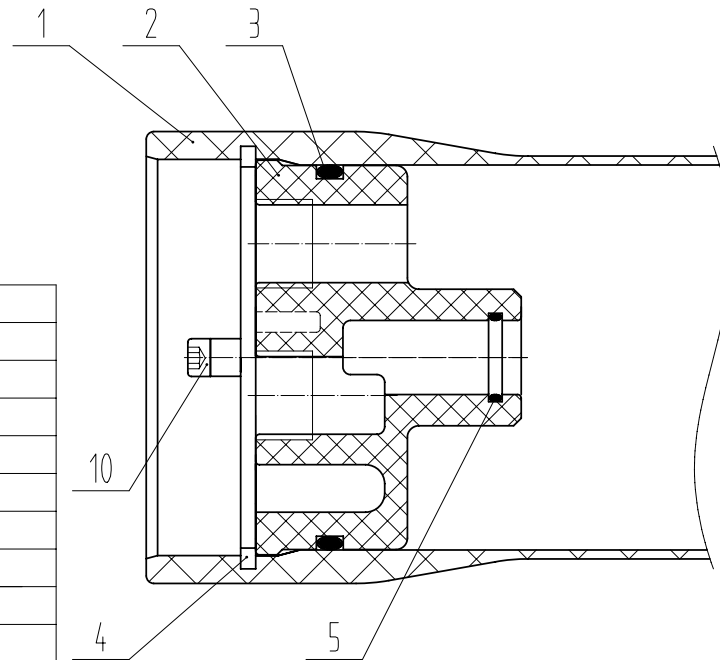
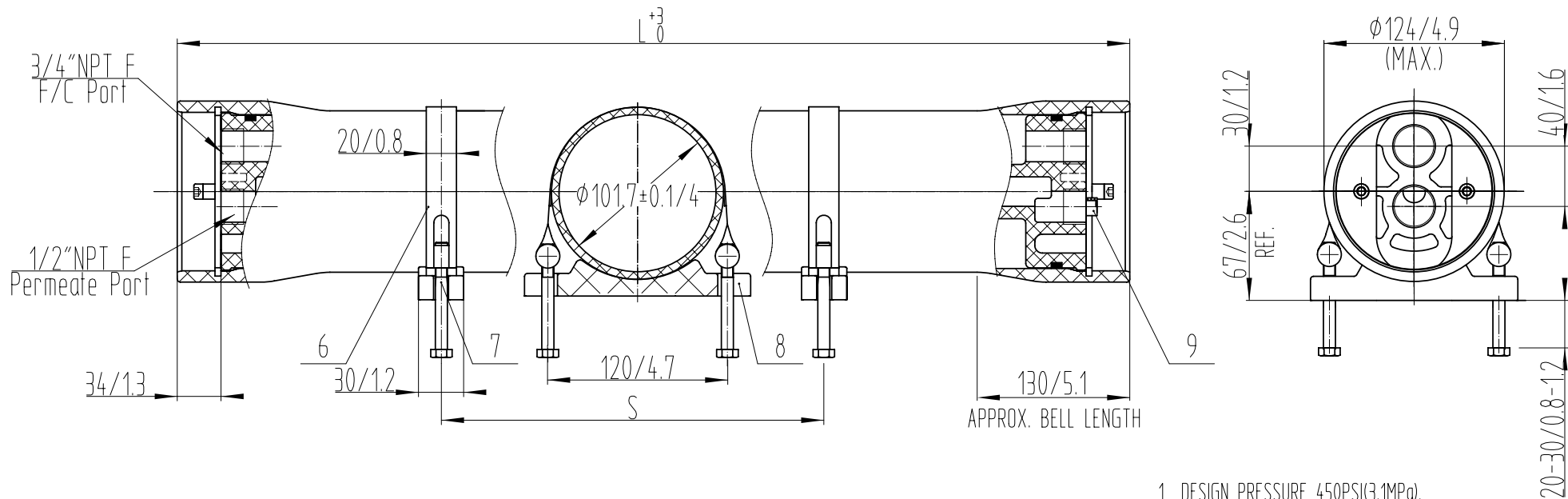


- 1 DESIGN PRESSURE 300PSI(2.1MPa).
- 2 DESIGN TEMPERATURE 150°F(65°C).
- 3 MIN ALLOWABLE TEMPERATURE 14°F(-10°C).
- 4 WORKING MEDIUM, WATER PH3~11.
- 5 DIMENSIONS IN MM(INCHES APPROX).
- 6 INTERNAL PERMEATE PRESSURE NOT TO EXCEED 125PSI(0.88Mpa).
- 7 PLEASE OPERATE IN ACCORDANCE WITH USER MANUAL.
- 8 FOR REFERENCE ONLY,NOT FOR CONSTRUCTION UNLESS CERTIFIED.
- 9 SPARE PARTS FORM JUST FOR REFERENCE,SPECIFIC FORM OF THE SPARE PART DRAWING PREVAIL,SUBJECT TO CHANGE WITHOUT NOTICE.
- 10 ALL PARTS CAN BE RECYCLED EXCEPT FRP SHELL.

Shell length code	Shell number	L L.O.A MM/IN	P Part to Part (MM/IN)	S Span MM/IN	Approx assembly weight KG/LB
4	4012.4C	4311/169.7	4115/162	1600/63x2	15.0/33
5	4012.5C	5327/209.7	5131/202	2300/90.6x2	17.3/38
6	4012.6C	6343/249.7	6147/242	2700/106.3x2	19.6/43

	DESIGN	Harbin ROPV Industrial Co., Ltd. MODEL R4040C300S PRESSURE VESSEL(4-6) DRG. R4040C300S-00
	REVIEW	
	APPROVAL	
		REV. 14.2

450
PSI



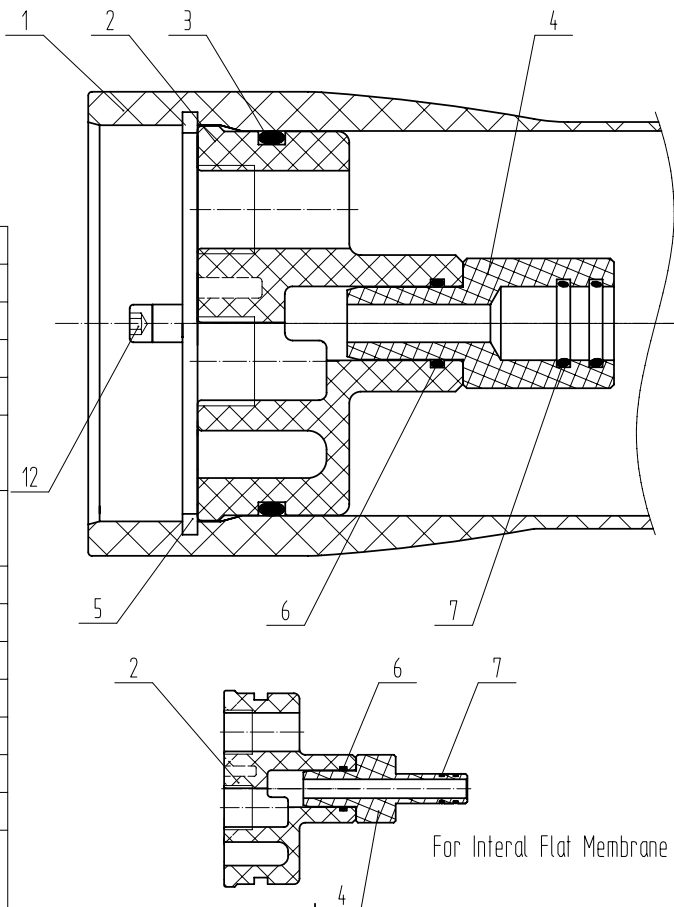
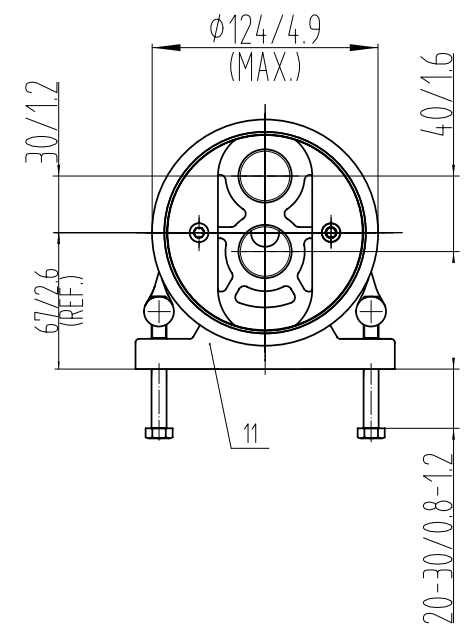
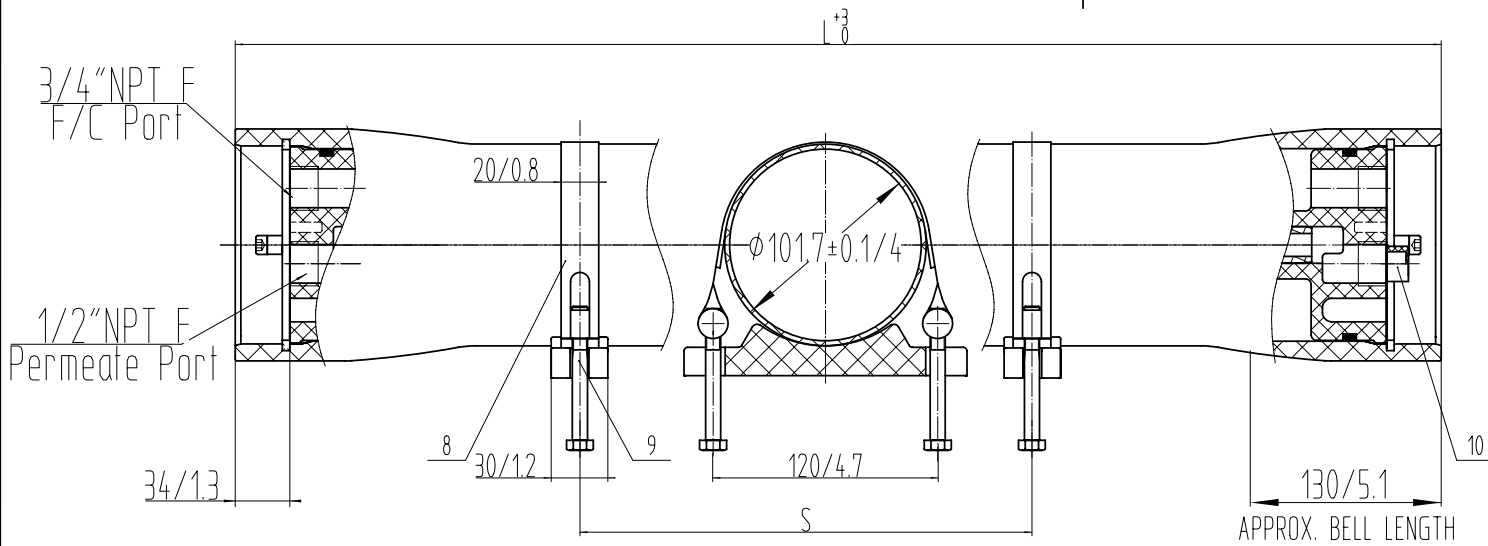
- 1 DESIGN PRESSURE 450PSI(3.1MPa).
- 2 DESIGN TEMPERATURE 150°F(65°C).
- 3 MIN ALLOWABLE TEMPERATURE 14°F(-10°C).
- 4 WORKING MEDIUM, WATER PH3~11.
- 5 DIMENSIONS IN MM(INCHES APPROX).
- 6 INTERNAL PERMEATE PRESSURE NOT TO EXCEED 125PSI(0.88Mpa).
- 7 PLEASE OPERATE IN ACCORDANCE WITH USER MANUAL.
- 8 FOR REFERENCE ONLY,NOT FOR CONSTRUCTION UNLESS CERTIFIED.
- 9 SPARE PARTS FORM JUST FOR REFERENCE,SPECIFIC FORM OF THE SPARE PART DRAWING PREVAIL;SUBJECT TO CHANGE WITHOUT NOTICE.
- 10 ALL PARTS CAN BE RECYCLED EXCEPT FRP SHELL.

10	GB/T170.1 M6x20	Locking Crescent Screw	4	304SS	
09	4013.1	Plug	1	Engineering Thermoplastic	
08	F4010	Saddle	2	Engineering Thermoplastic	
07	GB/T5782 M6x60	Strap Screw	4	304SS	
06	F4008	Strap	2	304SS-Brass and Rubber	
05	19x2.65G GB/T3452.1	O-ring	2	EPDM	
04	4011	Locking Crescent	4	304SS	
03	90x5.3G GB/T3452.1	O-ring	2	EPDM	
02	4099.1Z	End Plate	2	Engineering Thermoplastic	
01	4029.7C-9C	Pressure Shell	1	FRP	
Ref.	Part Number	Description	Qty.	Material	Note

Shell length code	Shell number	L L.O.A MM/IN	S Span MM/IN	Approx assembly weight KG/LB
1	4029.7C	1173/46.2	600/24	4.9/11
2	4029.8C	2189/86.2	1200/47	7.9/17
3	4029.9C	3205/126.2	2200/87	10.9/24

ROPV	DESIGN	<i>Harbin ROPV Industrial Co., Ltd.</i>	
	REVIEW	MODEL	R4040C450E PRESSURE VESSEL(1-3)
	APPROVAL	DRG.	R4040C450E-00
		REV.	14.2

450
PST

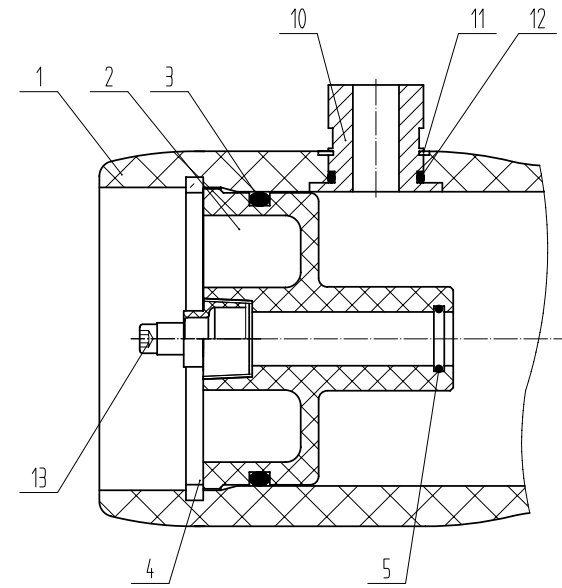
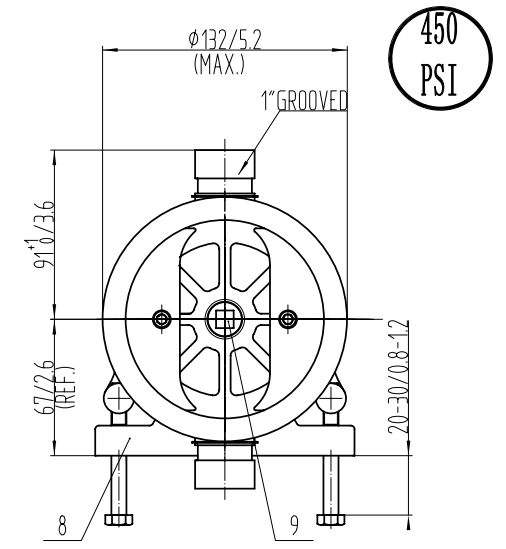
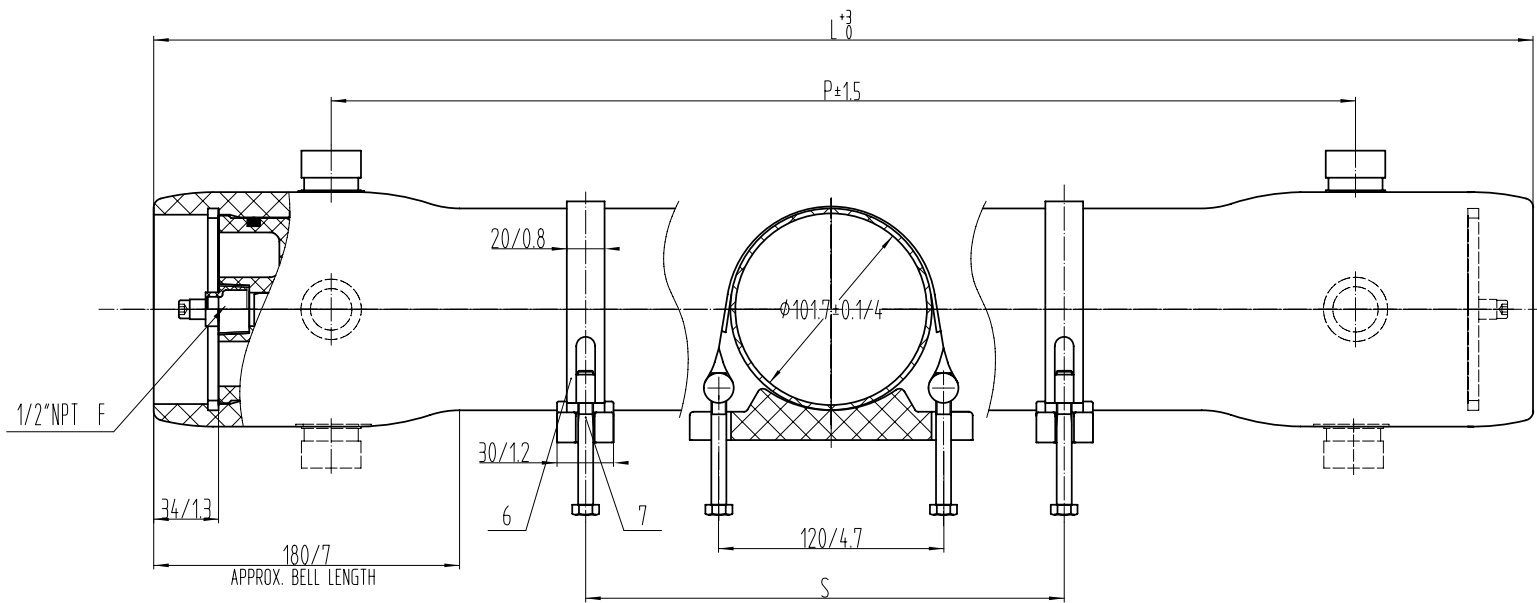


- 1 DESIGN PRESSURE 450PSI(3.1MPa).
- 2 DESIGN TEMPERATURE 150°F(65°C).
- 3 MIN ALLOWABLE TEMPERATURE 14°F(-10°C).
- 4 WORKING MEDIUM, WATER PH3-11.
- 5 DIMENSIONS IN MM(INCHES APPROX).
- 6 INTERNAL PERMEATE PRESSURE NOT TO EXCEED 125PSI(0.88MPa).
- 7 PLEASE OPERATE IN ACCORDANCE WITH USER MANUAL.
- 8 FOR REFERENCE ONLY,NOT FOR CONSTRUCTION UNLESS CERTIFIED.
- 9 SPARE PARTS FORM JUST FOR REFERENCE,SPECIFIC FORM OF THE SPARE PART DRAWING PREVAIL;SUBJECT TO CHANGE WITHOUT NOTICE.
- 10 ALL PARTS CAN BE RECYCLED EXCEPT FRP SHELL.

12	GB/T170.1 M6x20	Locking Crescent Screw	4	304SS	
11	F4010	Saddle	3	Engineering Thermoplastic	
10	4013.1	Plug	1	Engineering Thermoplastic	
09	GB/T5782 M6x60	Strap Screw	6	304SS	
08	F4008	Strap	3	304SS-Brass and Rubber	
07	12.5x1.8G GB/T3452.1	O-ring	4	EPDM	
	19x2.65G GB/T3452.1				
06	14x2.65G GB/T3452.1	O-ring	2	EPDM	
	17x2.65G GB/T3452.1				
05	4011	Locking Crescent	4	304SS	
04	4021.1	Adapter	2	Engineering Thermoplastic	for flat membrane
	4021				
03	90x5.3G GB/T3452.1	O-ring	2	EPDM	
02	4033.1	End Plate	2	Engineering Thermoplastic	for flat membrane
	4033Z				
01	4029.10C-12C	Pressure Shell	1	FRP	
Ref.	Part Number	Description	Qty.	Material	Note

Shell length code	Shell number	L L.O.A MM/IN	S Span MM/IN	Approx assembly weight KG/LB
4	4029.10C	4321/170.1	1600/63x2	16.4/36
5	4029.11C	5337/210.1	2300/91x2	19.4/43
6	4029.12C	6353/250.1	2700/106x2	22.4/49

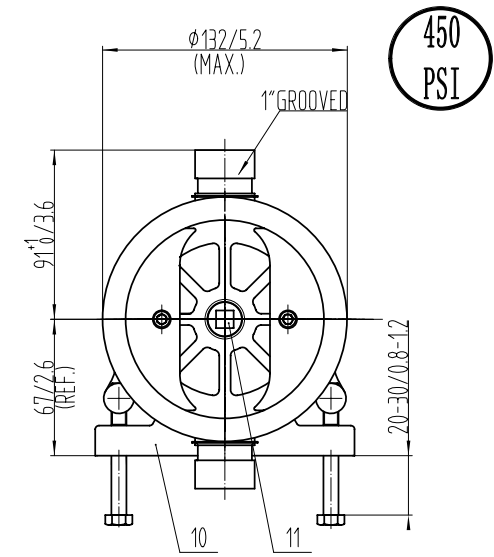
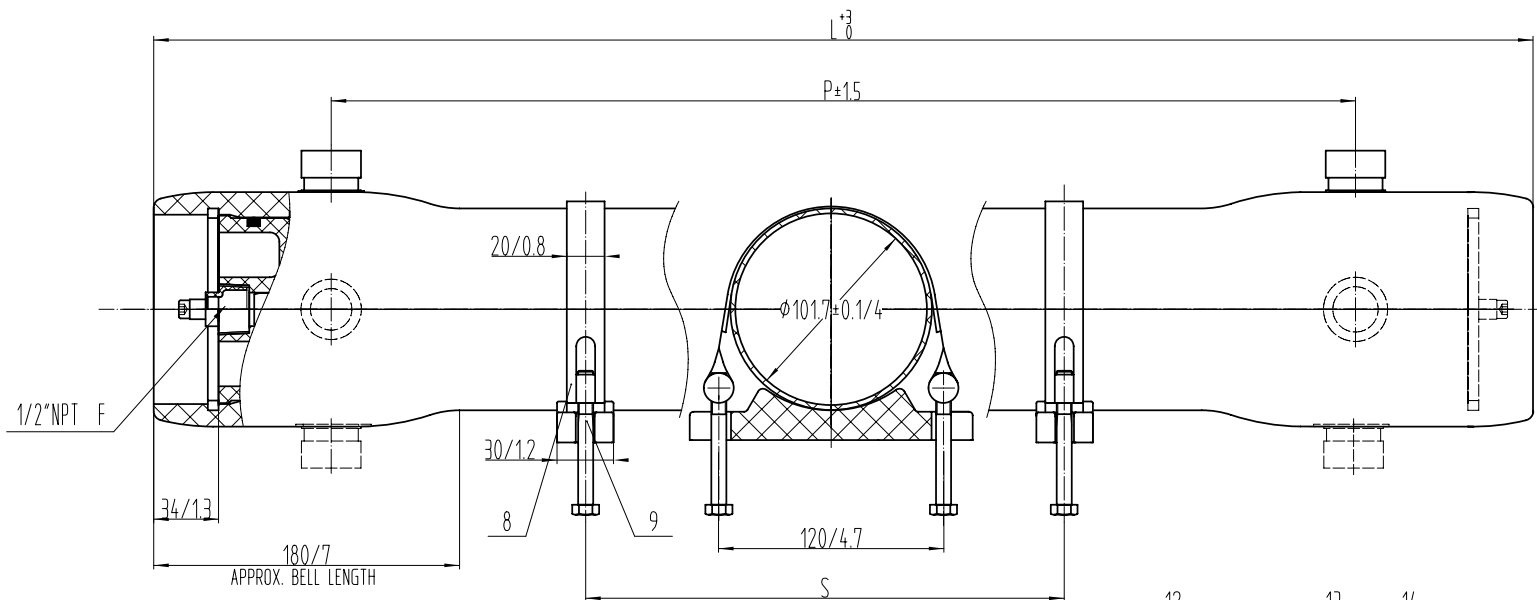
ROPV	DESIGN	Harbin ROPV Industrial Co., Ltd.	
	REVIEW		
	APPROVAL		
	MODEL	R4040C450E PRESSURE VESSEL(4-6)	
	DRG.	R4040C450E-00	REV. 14.2



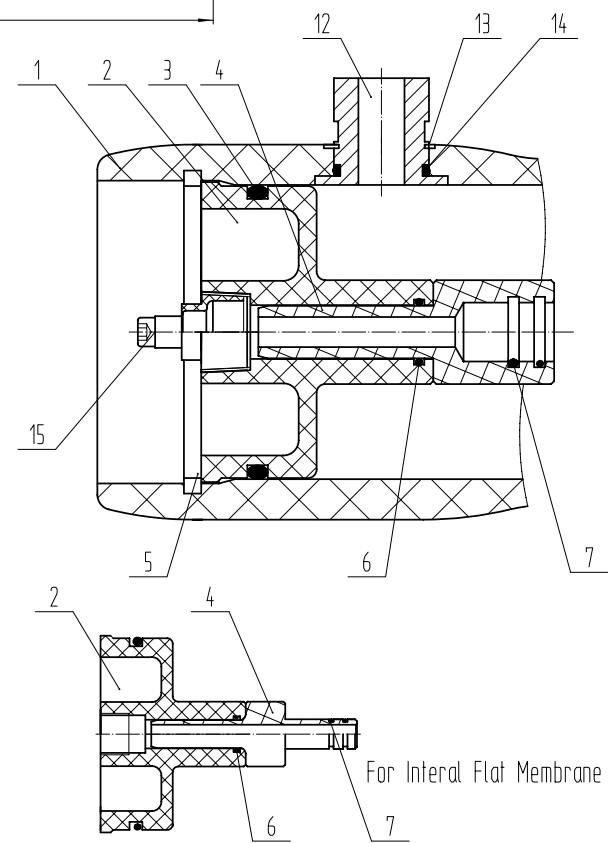
- 1 DESIGN PRESSURE 450PSI(3.1MPa).
- 2 DESIGN TEMPERATURE 150°F(65°C).
- 3 MIN ALLOWABLE TEMPERATURE 14°F(-10°C).
- 4 WORKING MEDIUM, WATER PH3~11.
- 5 DIMENSIONS IN MM(INCHES APPROX).
- 6 INTERNAL PERMEATE PRESSURE NOT TO EXCEED 125PSI(0.88Mpa).
- 7 PLEASE OPERATE IN ACCORDANCE WITH USER MANUAL.
- 8 FOR REFERENCE ONLY,NOT FOR CONSTRUCTION UNLESS CERTIFIED.
- 9 SPARE PARTS FORM JUST FOR REFERENCE,SPECIFIC FORM OF THE SPARE PART DRAWING PREVAIL,SUBJECT TO CHANGE WITHOUT NOTICE.
- 10 ALL PARTS CAN BE RECYCLED EXCEPT FRP SHELL.

13	GB/T70.1 M6×20	Locking Crescent Screw	4	304SS	
12	28x2.65G GB/T3452.1	O-ring	2-4	EPDM	
11	4005	Retaining Ring	2-4	304SS	
10	4004	Feed/Conc. Part	2-4	316LSS	
09	4013.1	Plug	1	Engineering Thermoplastic	
08	F4010	Saddle	2	Engineering Thermoplastic	
07	GB/T5782 M6x60	Strap Screw	4	304SS	
06	F4008	Strap	2	304SS-Brass and Rubber	
05	19x2.65G GB/T3452.1	O-ring	2	EPDM	
04	4011	Locking Crescent	4	304SS	
03	90x5.3G GB/T3452.1	O-ring	2	EPDM	
02	F4101	End Plate	2	Engineering Thermoplastic	
01	4015.7C-9C	Pressure Shell	1	FRP	
Ref.	Part Number	Description	Qty.	Material	Note

Shell length code	Shell number	L L.O.A MM/IN	P Part to Part (MM/IN)	S Span MM/IN	Approx assembly weight KG/LB
1	4015.7C	1193/47.0	1016/40	600/24	6.9/15
2	4015.8C	2209/87.0	2032/80	1200/47	9.9/22
3	4015.9C	3225/127.0	3048/120	2200/87	12.9/28
		DESIGN	Harbin ROPV Industrial Co., Ltd. MODEL R4040C450S PRESSURE VESSEL(1-3) DRG. R4040C450S-00 REV. 14.2		
		REVIEW			
		APPROVAL			



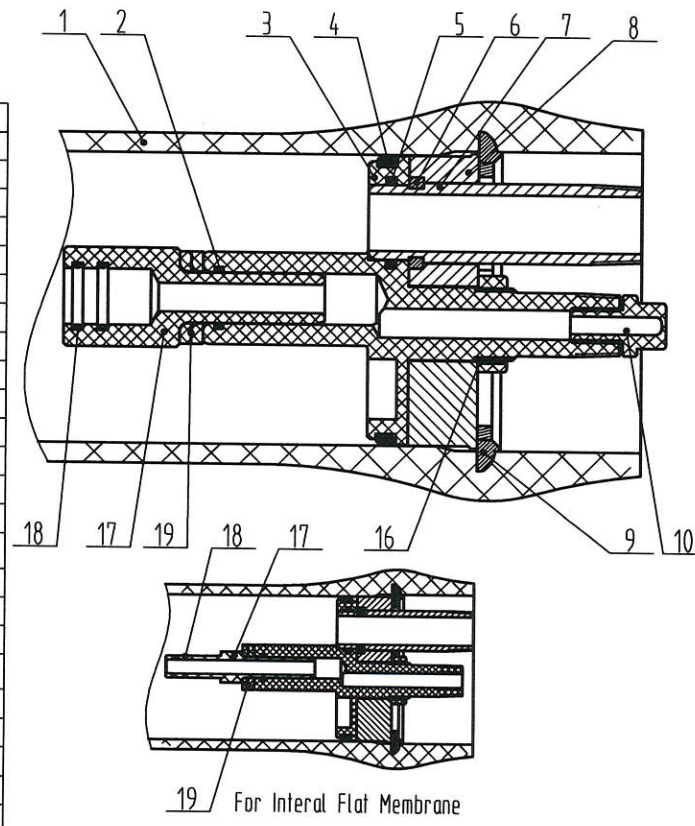
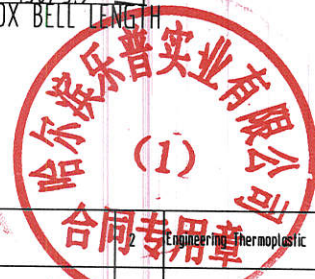
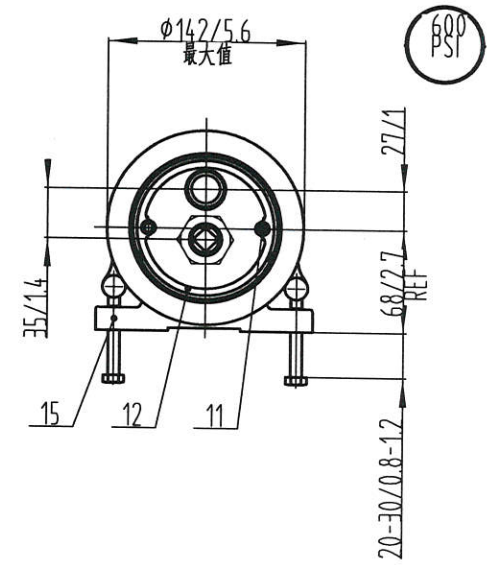
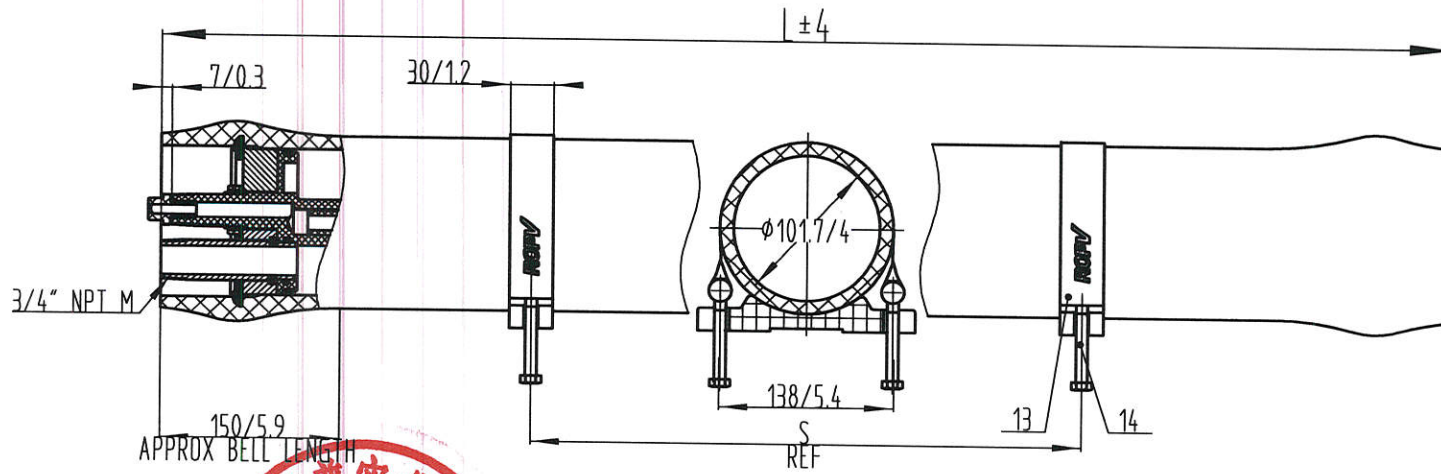
15	GB/T5782 M6x20	Locking Crescent Screw	4	304SS	
14	28x2.65G GB/T3452.1	O-Ring	2~4	EPDM	
13	4005	Retaining Ring	2~4	304SS	
12	4004	Feed/Conc. Part	2~4	316LSS	
11	4013.1	Plug	1	Engineering Thermoplastic	
10	F4010	Saddle	3	Engineering Thermoplastic	
9	GB/T5782 M6x60	Strap Screw	3	304SS	
8	F4008	Strap	3	304SS-Brass and Rubber	
7	12.5x1.8G GB/T3452.1	O-Ring	4	EPDM	
	19x2.65G GB/T3452.1				
6	14x2.65G GB/T3452.1	O-Ring	2	EPDM	
	17x2.65G GB/T3452.1				
5	4011	Locking Crescent	4	304SS	
4	4021.1	Adapter	2	Engineering Thermoplastic	For Internal Flat Membrane
	4021				
3	90x5.3G GB/T3452.1	O-Ring	2	EPDM	
2	4101.1	End Plate	2	Engineering Thermoplastic	For Internal Flat Membrane
	4101				
1	4015.10C-12C	Pressure Shell	1	FRP	
Ref.	Part Number	Description	Qty.	Material	Note



- 1 DESIGN PRESSURE 450PSI(3.1MPa).
- 2 DESIGN TEMPERATURE 150°F(65°C).
- 3 MIN ALLOWABLE TEMPERATURE 14°F(-10°C).
- 4 WORKING MEDIUM, WATER PH3~11.
- 5 DIMENSIONS IN MM(INCHES APPROX).
- 6 INTERNAL PERMEATE PRESSURE NOT TO EXCEED 125PSI(0.88MPa).
- 7 PLEASE OPERATE IN ACCORDANCE WITH USER MANUAL.
- 8 FOR REFERENCE ONLY,NOT FOR CONSTRUCTION UNLESS CERTIFIED.
- 9 SPARE PARTS FORM JUST FOR REFERENCE,SPECIFIC FORM OF THE SPARE PART DRAWING PREVAIL;SUBJECT TO CHANGE WITHOUT NOTICE.
- 10 ALL PARTS CAN BE RECYCLED EXCEPT FRP SHELL.

Shell length code	Shell number	L L.O.A MM/IN	P Port to Port (MM/IN)	S Span MM/IN	Approx assembly weight KG/LB
4	4015.10C	4321/170.1	4115/162	1600/63x2	18/40
5	4015.11C	5337/210.1	5131/202	2300/91x2	21/46
6	4015.12C	6353/250.1	6147/242	2700/106x2	24/53

ROPV	DESIGN	Harbin ROPV Industrial Co., Ltd.	
	REVIEW	MODEL	R4040C450S PRESSURE VESSEL(4-6)
	APPROVAL	DRG.	R4040C450S-00
		REV.	14.2



- 1 Design pressure 600PSI(4.1MPa)
- 2 Design temperature 150°F(66°C)
- 3 Min. allowable temperature 14°F(-10°C)
- 4 Working medium, sea water or brackishwater
- 5 Internal permeate pressure not to exceed 125PSI(0.88MPa)
- 6 Please operate according to directions
- 7 Subject to chance without notice, please sign in the website of the company to inquire.(www.ropv.com.cn)
- 8 Others can be use recycle except shell need specialized callback

Ref	Part Number	Description	Qty	Material	Note
19	A4090.1	Shim	2	Engineering Thermoplastic	Internal Adapter
	A4090				
18	12.5x1.8G GB/T3452.1	O-Ring	4	EPDM	
	19x2.65G GB/T3452.1				
17	A4021.1	Adapter	2	Engineering Thermoplastic	Internal Adapter
	A4021				
16	A4045.1	Locknut	2	Engineering Thermoplastic	
15	A4010	Saddle	2-3	Rubber	
14	GB/T5782 M8x60	Strap Screw	4-6	316SS	
13	A4008.2	Strap	2-3	316SS	
12	A4025	Securing Ring	2	316SS	
11	GB/T70.1 M6x15	Securing Ring Screw	4	316SS	
10	A4013	Plug	1	Engineering Thermoplastic	M12
09	A4024	Locking Kit Segment	2 set	316SS	
08	A4036	Bearing Plate	2	Aluminium Alloy-Hard anodized	
07	A4038	Feed/Conc.Part	2	Super Duplex Stainless Steel	
06	A4039	Feed/Conc.Part Fixed Ring	4	316SS	
05	25.8x3.55G GB/T3452.1	O-Ring	2	EPDM	
04	90x5.3G GB/T3452.1	O-Ring	2	EPDM	
03	A4068.2	Sealing Plate	2	Engineering Thermoplastic	For Flat Membrane
	A4068.1				
02	14x2.65G GB/T3452.1	O-Ring	2	EPDM	
	17x2.65G GB/T3452.1				
01	A40311-6	Pressure Shell	1	FRP	Opt for blue or white

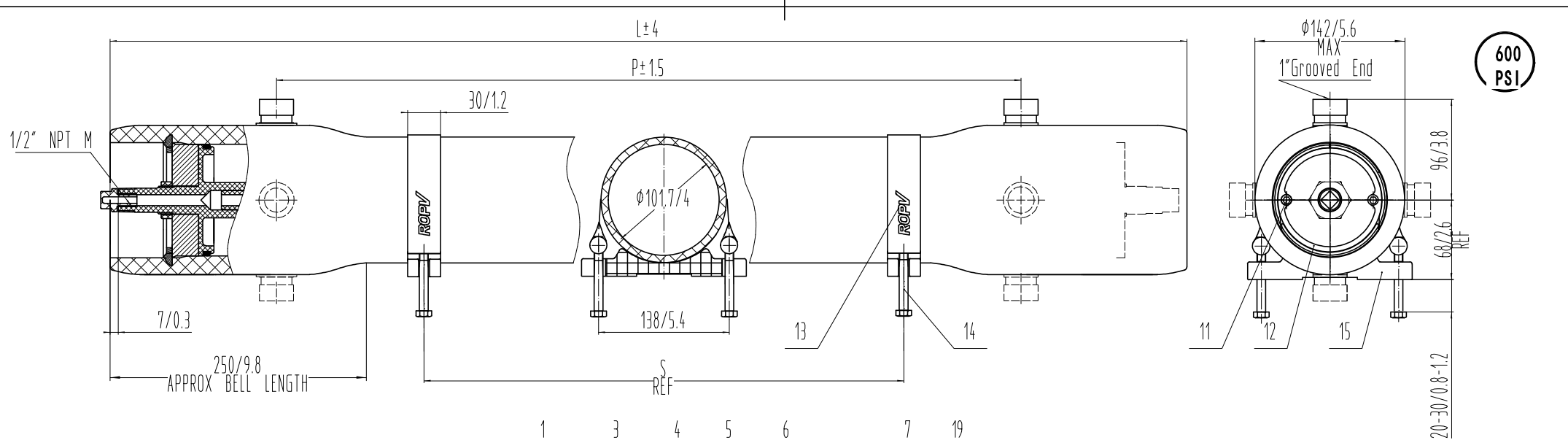
Shell Length Code	Shell Number	L L.O.A (MM/IN)	S Span (MM/IN)	Approx assembly weight (KG/LB)
1	A4031.1	1354/53.3	600/23.6	9/19.8
2	A4031.2	2370/93.3	1200/47.2	13/28.6
3	A4031.3	3386/133.3	2200/86.6	17/37.5
4	A4031.4	4402/173.3	1600/63.0x2	21/46.3
5	A4031.5	5418/213.3	2300/90.6x2	25/55.1
6	A4031.6	6434/253.3	2700/106.3x2	29/64

ROPV DESIGN REVIEW APPROVAL

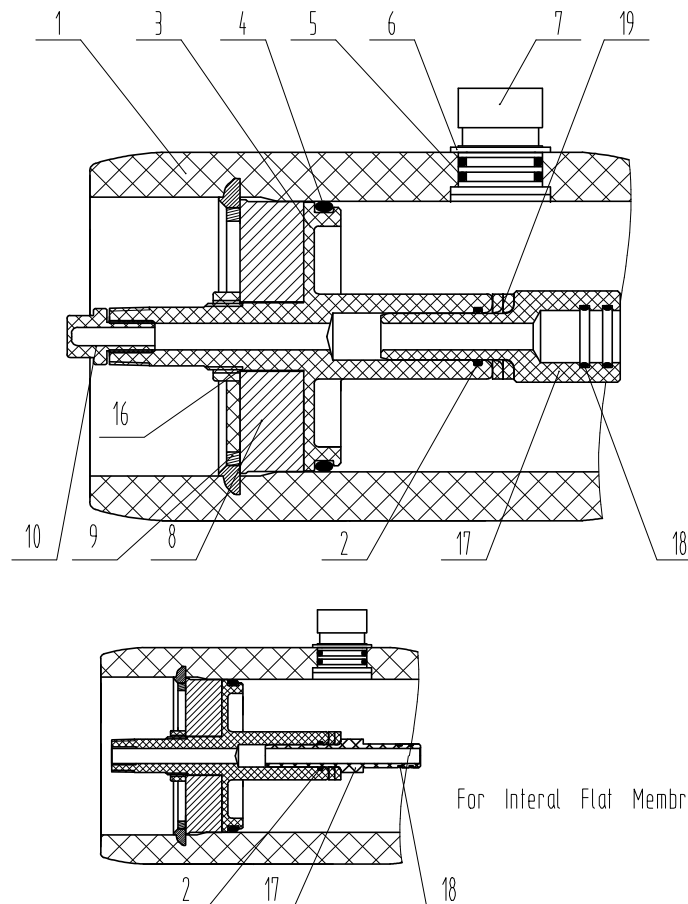
Haerbin ROPV Industry Development Center

MODEL: R4040C600E PRESSURE VESSEL

DRG: R4040C600E-00 版次: 12.3



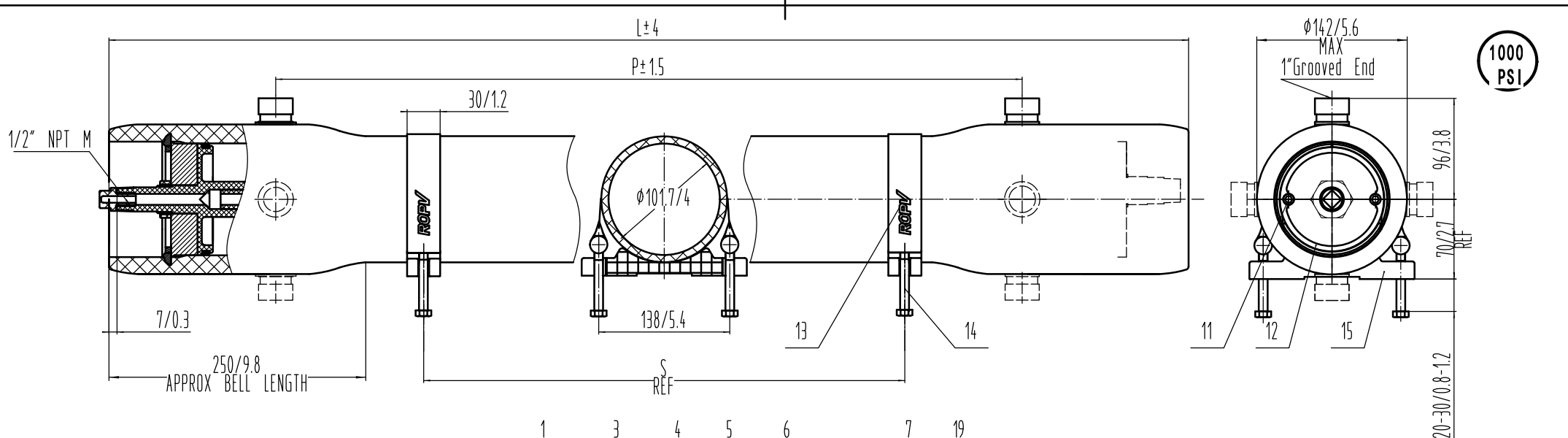
19	A4090.1 A4090	Shim	2	ABS	Internal Adapter
18	12.5x1.8G GB/T3452.1 19x2.65G GB/T3452.1	O-Ring	4	EPDM	
17	40211 4021	Adapter	2	Engineering Thermoplastic	Internal Adapter
16	4015.1	Locknut	2	Engineering Thermoplastic	
15	4010	Saddle	2-3	Rubber	
14	GB/T5782 M8x60	Strap Screw	4-6	316SS	
13	4008.3	Strap	2-3	316SS-Brass and Rubber	S
12	A4025	Securing Ring	2	316SS	
11	GB/T170.1 M6x15	Securing Ring Screw	4	316SS	
10	4013	Plug	1	Engineering Thermoplastic	M12
09	A4024	Locking Kit Segment	2 set	316SS	
08	A4019	Bearing Plate	2	Aluminium Alloy-Hard anodized	
07	4042	Feed/Conc. Part	2-4	Super Duplex Stainless Steel	
06	4005	Retaining Ring	2-4	316SS	
05	28x2.65G GB/T3452.1	O-Ring	4-8	EPDM	
04	90x5.3G GB/T3452.1	O-Ring	2	EPDM	
03	A4068.4 A4068.3	Sealing Plate	2	Engineering Thermoplastic	For Internal Flat Membrane
02	14x2.65G GB/T3452.1 17x2.65G GB/T3452.1	O-Ring	2	EPDM	
01	A4016.1-6	Pressure Shell	1	FRP	OPT for Blue or White
Ref.	Part Number	Description	Qty.	Material	Note



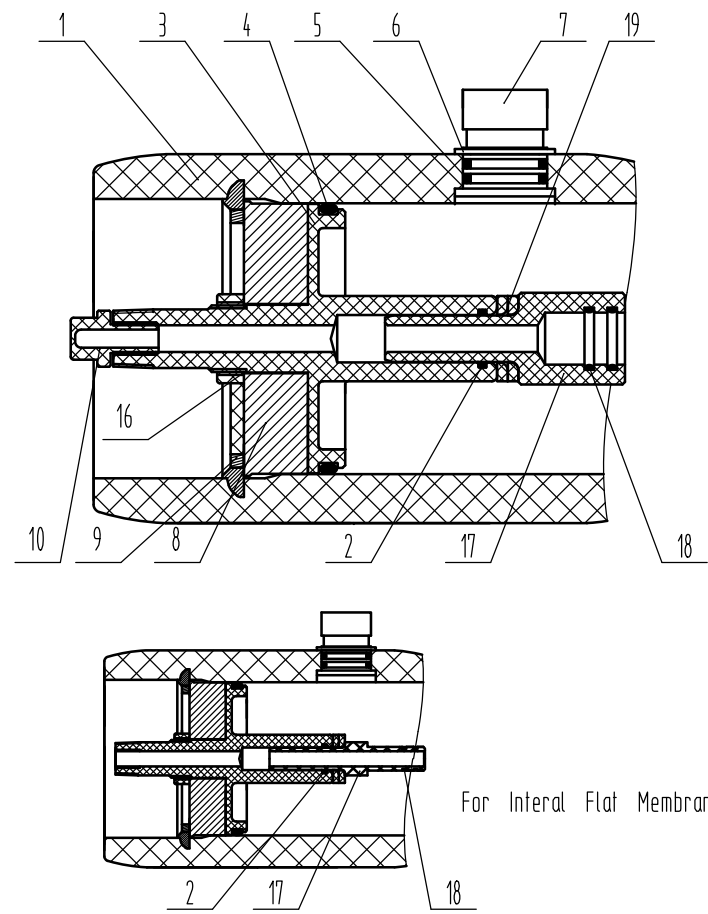
- 1 Design pressure 600PSI(4.1MPa)
- 2 Design temperature 150°F(66°C)
- 3 Min. allowable temperature 14°F(-10°C)
- 4 Working medium, sea water or brackishwater
- 5 Internal permeate pressure not to exceed 125psi(0.88Mpa)
- 6 Please operate according to directions
- 7 Subject to chance without notice, please sign in the website of the company to inquire(www.ropv.com.cn).
- 8 Others can be use recycle except shell need specidized callback

Shell length code	Shell number	L L.O.A MM/IN	P Port to port MM/IN	S Span MM/IN	Approx assembly weight KG/LB
1	A4016.1	1354/53.3	1036/40.8	600/23.6	12/26.4
2	A4016.2	2370/93.3	2052/80.8	1200/47.2	16/35.3
3	A4016.3	3386/133.3	3068/120.8	2200/86.6	20/44
4	A4016.4	4402/173.3	4084/160.8	1600/63x2	24/53
5	A4016.5	5418/213.3	5100/200.8	2300/90.6x2	28/61.7
6	A4016.6	6434/253.3	6116/240.8	2700/106.3x2	32/70.5

ROPV	DESIGN	Harbin ROPV Industrial Co.,Ltd.		
	REVIEW	MODEL R4040C600S PRESSURE VESSEL		
	APPROVAL	DWG	R4040C600S-00	版次 12.5



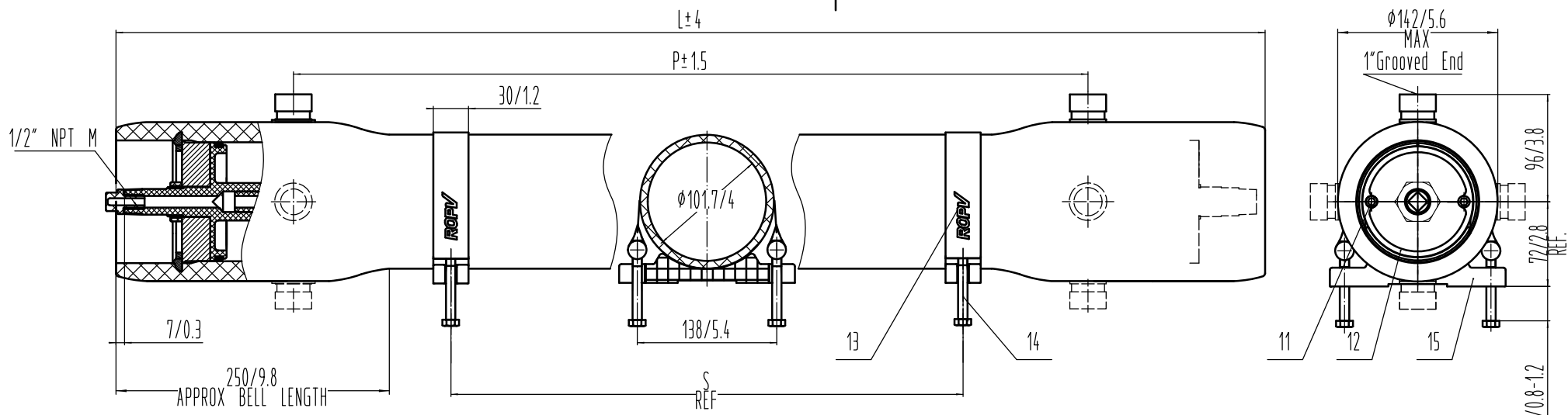
19	A4090.1	Shim	2	ABS	Internal Adapter
	A4090				
18	12.5x1.8G GB/T3452.1	O-Ring	4	EPDM	
	19x2.65G GB/T3452.1				
17	4021.1	Adapter	2	Engineering Thermoplastic	Internal Adapter
	4021				
16	4015.1	Locknut	2	Engineering Thermoplastic	
15	4010	Saddle	2-3	Rubber	
14	GB/T5782 M8x60	Strap Screw	4-6	316SS	
13	4008.2	Strap	2-3	316SS-Brass and Rubber	
12	A4025	Securing Ring	2	316SS	
11	GB/T770.1 M6x15	Securing Ring Screw	4	316SS	
10	4013	Plug	1	Engineering Thermoplastic	M12
09	A4024	Locking Kit Segment	2 set	316SS	
08	A4019	Bearing Plate	2	Aluminium Alloy-Hard anodized	
07	4042	Feed/Conc. Part	2-4	Super Duplex Stainless Steel	
06	4005	Retaining Ring	2-4	316SS	
05	28x2.65G GB/T3452.1	O-Ring	4-8	EPDM	
04	90x5.3G GB/T3452.1	O-Ring	2	EPDM	
03	A4068.4	Sealing Plate	2	Engineering Thermoplastic	For Internal Flat Membrane
	A4068.3				
02	14x2.65G GB/T3452.1	O-Ring	2	EPDM	
	17x2.65G GB/T3452.1				
01	A4016.13-18	Pressure Shell	1	FRP	OPT for Blue or White
Ref.	Part Number	Description	Qty.	Material	Note



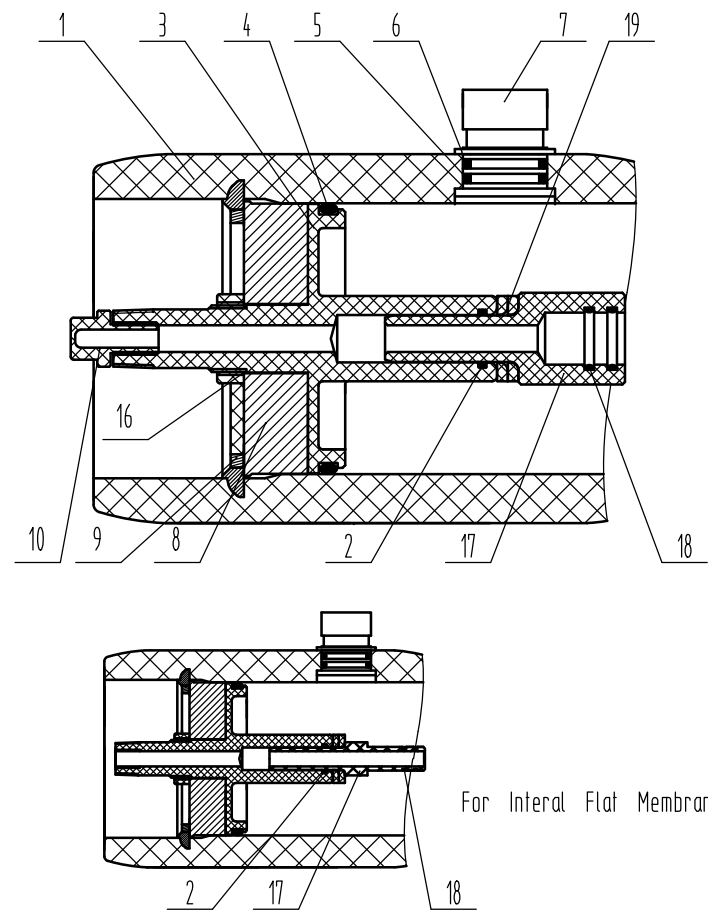
- Design pressure 1000PSI (6.9MPa)
- Design temperature 150°F (66°C)
- Min. allowable temperature 14°F (-10°C)
- Working medium, sea water or brackish water
- Internal permeate pressure not to exceed 125psi (0.88Mpa)
- Please operate according to directions
- Subject to change without notice, please sign in the website of the company to inquire (www.ropv.com.cn).
- Others can be use recycle except shell need specialized callback

Shell length code	Shell number	L L.O.A MM/IN	P Part to part MM/IN	S Span MM/IN	Approx assembly weight KG/LB
1	A4016.13	1354/53.3	1036/40.8	600/23.6	14/31
2	A4016.14	2370/93.3	2052/80.8	1200/47.2	20/44
3	A4016.15	3386/133.3	3068/120.8	2200/86.6	26/57.3
4	A4016.16	4402/173.3	4084/160.8	1600/63x2	32/70.5
5	A4016.17	5418/213.3	5100/200.8	2300/90.6x2	38/84
6	A4016.18	6434/253.3	6116/240.8	2700/106.3x2	44/97

ROPV	DESIGN	Harbin ROPV Industrial Co.,Ltd.	
	REVIEW	MODEL	R4040C1000S PRESSURE VESSEL
	APPROVAL	DWG	R4040C1000S-00 版次 12.4



19	A4090.1	Shim	2	ABS	Internal Adapter
	A4090				
18	12.5x1.8G GB/T3452.1	O-Ring	4	EPDM	
	19x2.65G GB/T3452.1				
17	4021.1	Adapter	2	Engineering Thermoplastic	Internal Adapter
	4021				
16	4015.1	Locknut	2	Engineering Thermoplastic	
15	4010	Saddle	2-3	Rubber	
14	GB/T5782 M8x60	Strap Screw	4-6	316SS	
13	4008.2	Strap	2-3	316SS-Brass and Rubber	
12	A4025	Securing Ring	2	316SS	
11	GB/T770.1 M6x15	Securing Ring Screw	4	316SS	
10	4013	Plug	1	Engineering Thermoplastic	M12
09	A4024	Locking Kit Segment	2 set	316SS	
08	A4019	Bearing Plate	2	Aluminium Alloy-Hard anodized	
07	4042	Feed/Conc. Part	2-4	Super Duplex Stainless Steel	
06	4005	Retaining Ring	2-4	316SS	
05	28x2.65G GB/T3452.1	O-Ring	4-8	EPDM	
04	90x5.3G GB/T3452.1	O-Ring	2	EPDM	
03	A4068.4	Sealing Plate	2	Engineering Thermoplastic	For Internal Flat Membrane
	A4068.3				
02	14x2.65G GB/T3452.1	O-Ring	2	EPDM	
	17x2.65G GB/T3452.1				
01	A4016.19-24	Pressure Shell	1	FRP	OPT for Blue or White
Ref.	Part Number	Description	Qty.	Material	Note

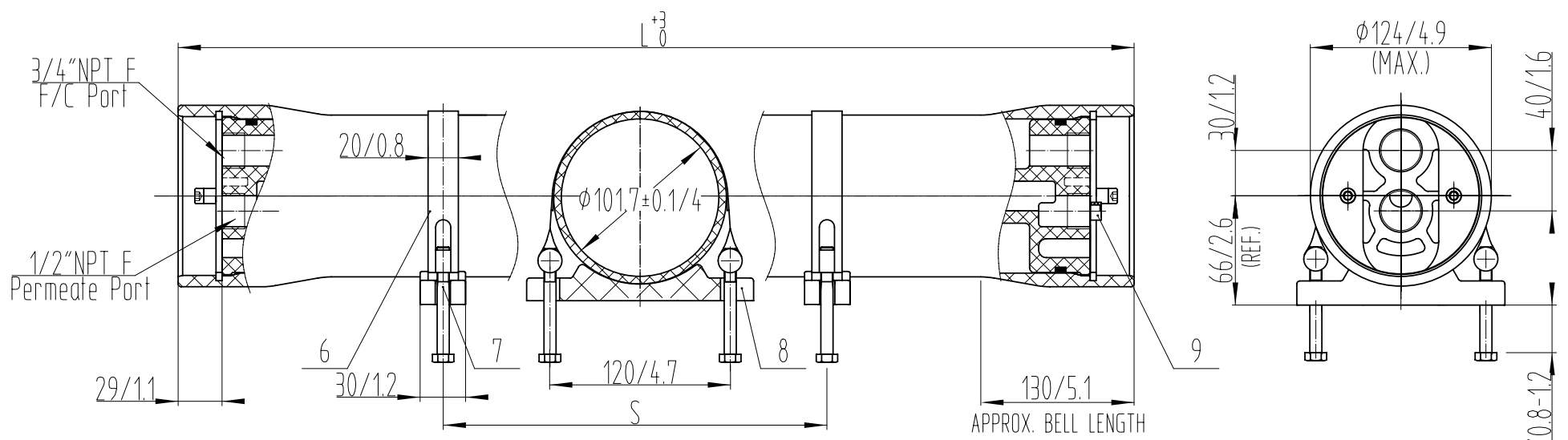


- Design pressure 1200PSI (8.3MPa)
- Design temperature 150°F (66°C)
- Min. allowable temperature 14°F (-10°C)
- Working medium, sea water or brackish water
- Internal permeate pressure not to exceed 125psi (0.88Mpa)
- Please operate according to directions
- Subject to change without notice, please sign in the website of the company to inquire (www.ropv.com.cn).
- Others can be use recycle except shell need specializred callback

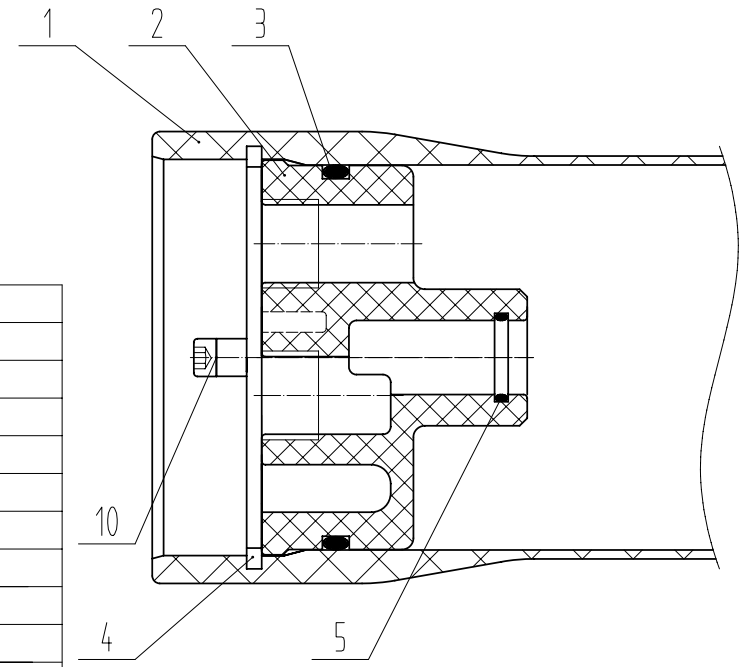
length code	Shell number	L.O.A MM/IN	Part to part MM/IN	Span MM/IN	Approx assembly weight KG/LB
1	A4016.19	1354/53.3	1036/40.8	600/23.6	15/33
2	A4016.20	2370/93.3	2052/80.8	1200/47.2	22.5/49.6
3	A4016.21	3386/133.3	3068/120.8	2200/86.6	30/66
4	A4016.22	4402/173.3	4084/160.8	1600/63x2	37.5/83
5	A4016.23	5418/213.3	5100/200.8	2300/90.6x2	45/99
6	A4016.24	6434/253.3	6116/240.8	2700/106.3x2	52.5/116

ROPV	DESIGN	Harbin ROPV Industrial Co.,Ltd.	
	REVIEW	MODEL	R4040C1200S PRESSURE VESSEL
	APPROVAL	DWG	R4040C1200S-00 版次 12.4

300
PSI



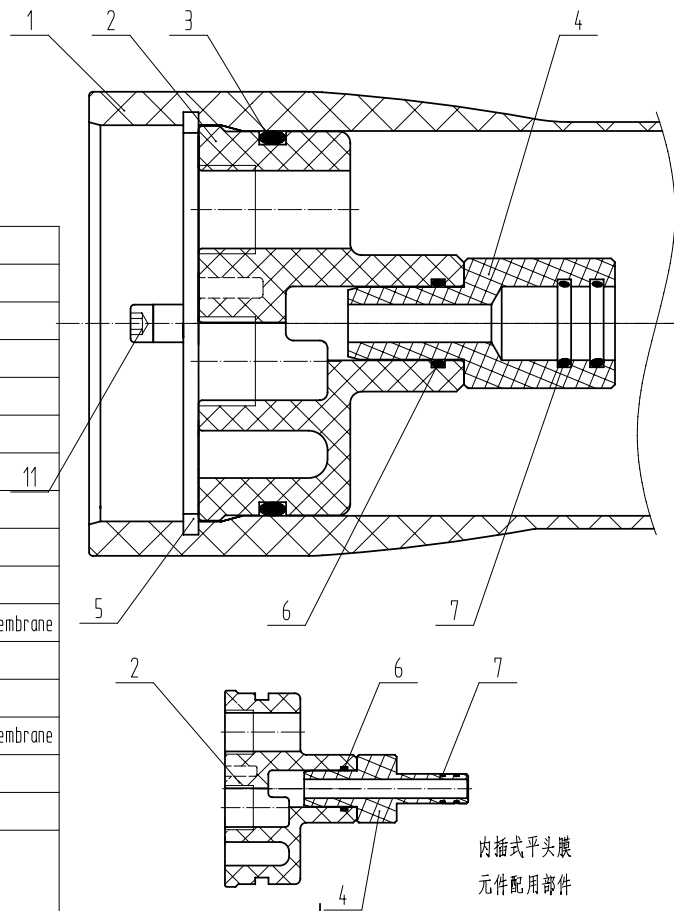
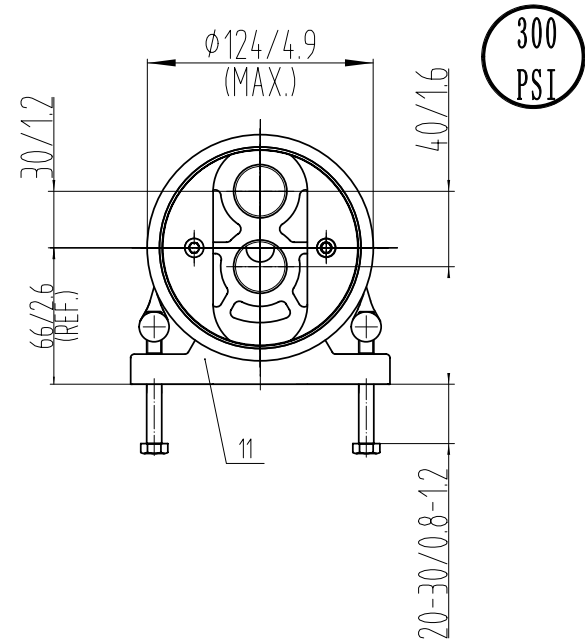
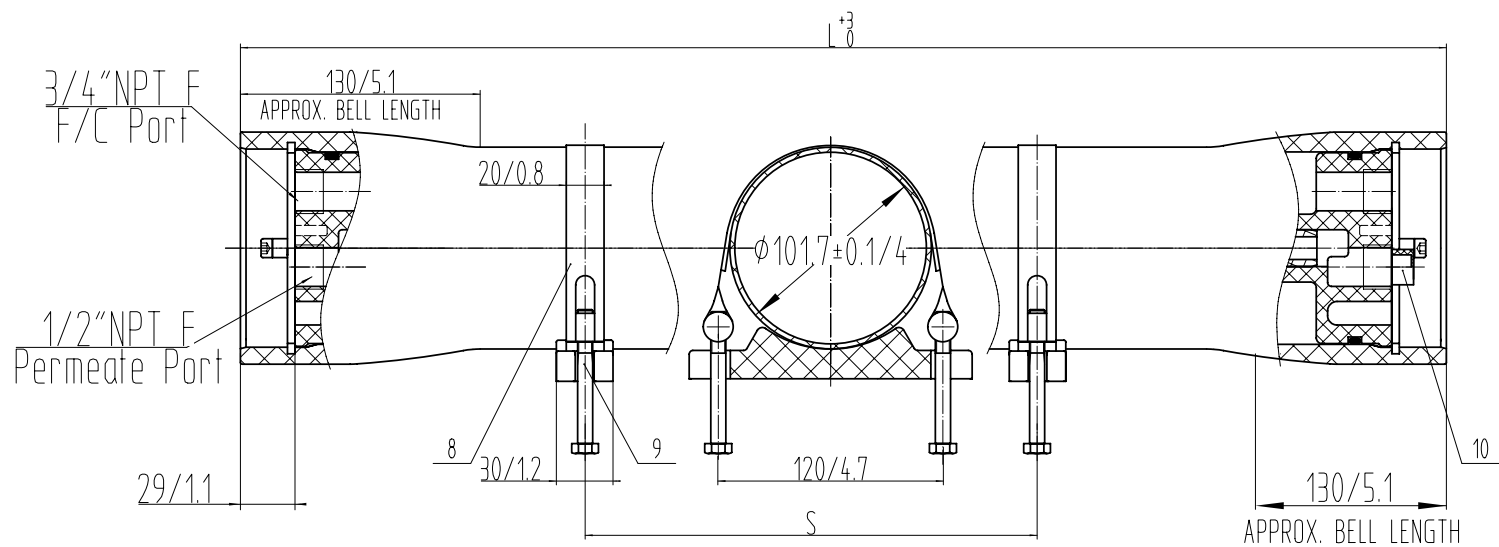
- 1 DESIGN PRESSURE 300PSI(2.1MPa).
- 2 DESIGN TEMPERATURE 150°F(65°C).
- 3 MIN ALLOWABLE TEMPERATURE 14°F(-10°C).
- 4 WORKING MEDIUM, WATER PH3-11.
- 5 DIMENSIONS IN MM(INCHES APPROX).
- 6 INTERNAL PERMEATE PRESSURE NOT TO EXCEED 125PSI(0.88Mpa).
- 7 PLEASE OPERATE IN ACCORDANCE WITH USER MANUAL.
- 8 FOR REFERENCE ONLY,NOT FOR CONSTRUCTION UNLESS CERTIFIED.
- 9 SPARE PARTS FORM JUST FOR REFERENCE,SPECIFIC FORM OF THE SPARE PART DRAWING PREVAIL;SUBJECT TO CHANGE WITHOUT NOTICE.
- 10 ALL PARTS CAN BE RECYCLED EXCEPT FRP SHELL.



10	GB/T70.1 M6x20	Locking Crescent Screw	4	304SS	
09	4013.1	Plug	1	Engineering Thermoplastic	
08	F4010	Saddle	2	Engineering Thermoplastic	
07	GB/T5782 M8x60	Strap Screw	4	304SS	
06	F4008	Strap	2	304SS-Brass and Rubber	
05	19x2.65G GB/T3452.1	O-ring	2	EPDM	
04	4011	Locking Crescent	4	304SS	
03	90x5.3G GB/T3452.1	O-ring	2	EPDM	
02	4099.1Z	End Plate	2	Engineering Thermoplastic	
01	4028.1C-3C	Pressure Shell	1	FRP	
Ref.	Part Number	Description	Qty.	Material	Note

Shell length code	Shell number	L L.O.A MM/IN	S Span MM/IN	Approx assembly weight KG/LB
1	4028.1C	1163/45.8	600/24	4.2/9
2	4028.2C	2179/85.8	1200/47	6.5/14
3	4028.3C	3195/125.8	2200/87	8.8/19

ROPV	DESIGN	<i>Harbin ROPV Industrial Co., Ltd.</i>	
	REVIEW	MODEL	R4040C300E PRESSURE VESSEL(1-3)
	APPROVAL	DRG.	R4040C300E-00
		REV.	14.2

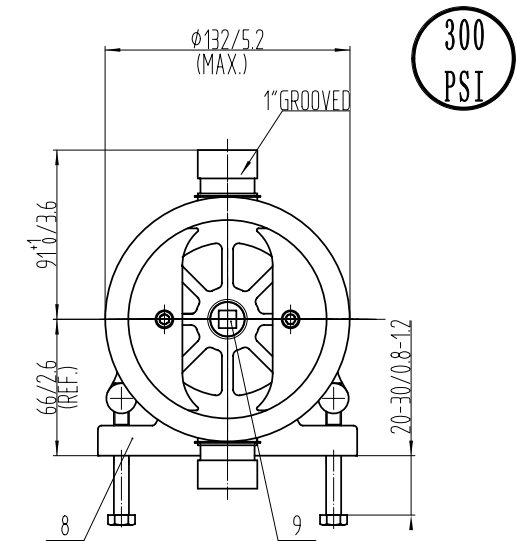
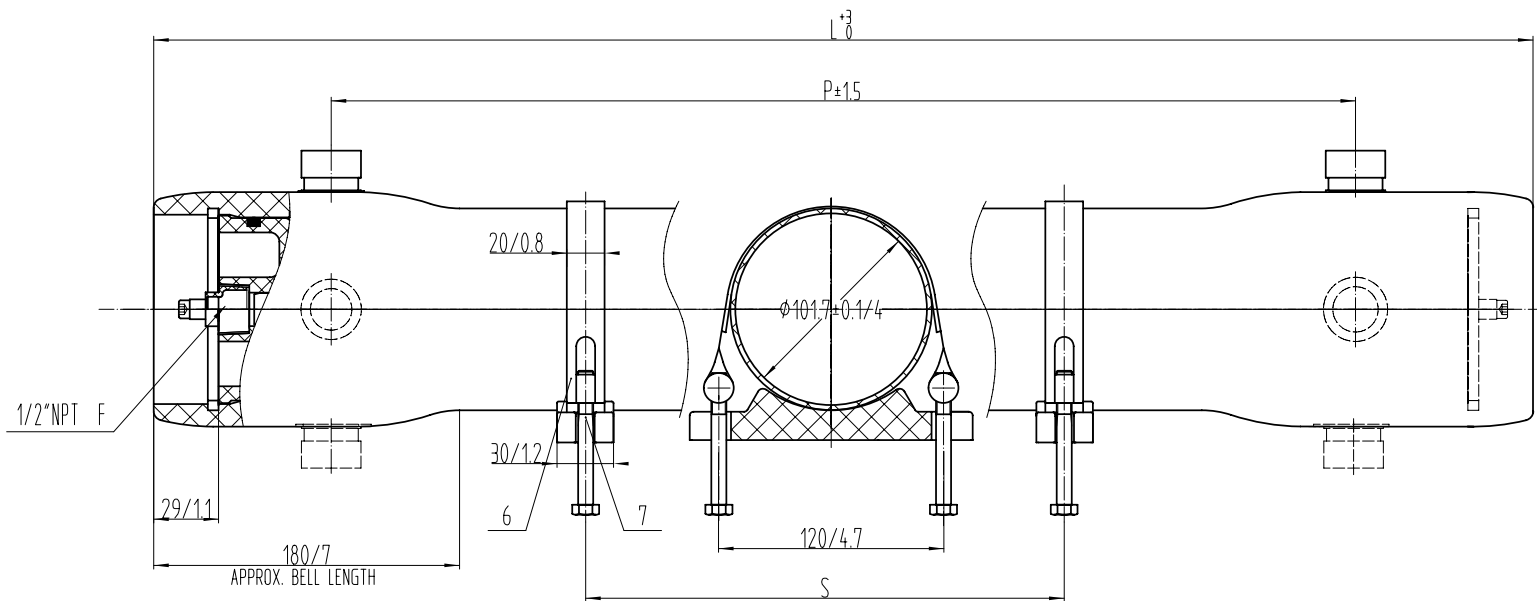


- 1 DESIGN PRESSURE 300PSI(2.1MPa).
- 2 DESIGN TEMPERATURE 150°F(65°C).
- 3 MIN ALLOWABLE TEMPERATURE 14°F(-10°C).
- 4 WORKING MEDIUM, WATER PH3~11.
- 5 DIMENSIONS IN MM(INCHES APPROX).
- 6 INTERNAL PERMEATE PRESSURE NOT TO EXCEED 125PSI(0.88Mpa).
- 7 PLEASE OPERATE IN ACCORDANCE WITH USER MANUAL.
- 8 FOR REFERENCE ONLY,NOT FOR CONSTRUCTION UNLESS CERTIFIED.
- 9 SPARE PARTS FORM JUST FOR REFERENCE,SPECIFIC FORM OF THE SPARE PART DRAWING PREVAIL;SUBJECT TO CHANGE WITHOUT NOTICE.
- 10 ALL PARTS CAN BE RECYCLED EXCEPT FRP SHELL.

12	GB/T170.1 M6×20	Locking Crescent Screw	4	304SS	
11	F4010	Saddle	3	Engineering Thermoplastic	
10	4013.1	Plug	1	Engineering Thermoplastic	
09	GB/T15782 M6x60	Strap Screw	4	304SS	
08	F4008	Strap	3	304SS-Brass and Rubber	
07	12.5x18G GB/T3452.1 19x2.65G GB/T3452.1	O-Ring	4	EPDM	
06	14x2.65G GB/T3452.1 17x2.65G GB/T3452.1	O-Ring	2	EPDM	
05	4011	Locking Crescent	2	304SS	
04	4021.1 4021	Adapter	2	Engineering Thermoplastic	For Internal Flat Membrane
03	90x5.3G GB/T3452.1	O-Ring	2	EPDM	
02	4033.1 4033Z	End Plate	2	Engineering Thermoplastic	For Internal Flat Membrane
01	4028.4C-6C	Pressure Shell	1	FRP	
Ref.	Part Number	Description	Qty.	Material	Note

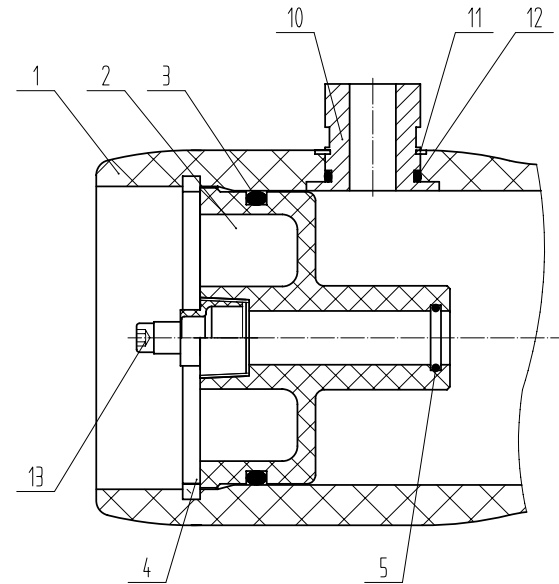
Shell length code	Shell number	L L.O.A MM/IN	S Span MM/IN	Approx assembly weight KG/LB
4	4028.4C	4311/169.7	1600/63x2	13.4/30
5	4028.5C	5327/209.7	2300/91x2	15.7/35
6	4028.6C	6343/249.7	2700/106x2	18.0/40

ROPV	DESIGN	Harbin ROPV Industrial Co., Ltd.	
	REVIEW		
	APPROVAL		
	MODEL	R4040C300E PRESSURE VESSEL(4-6)	
	DRG.	R4040C300E-00	REV. 14.2



300
PSI

- 1 DESIGN PRESSURE 300PSI(2.1MPa).
- 2 DESIGN TEMPERATURE 150°F(65°C).
- 3 MIN ALLOWABLE TEMPERATURE 14°F(-10°C).
- 4 WORKING MEDIUM, WATER PH3~11.
- 5 DIMENSIONS IN MM(INCHES APPROX).
- 6 INTERNAL PERMEATE PRESSURE NOT TO EXCEED 125PSI(0.88Mpa).
- 7 PLEASE OPERATE IN ACCORDANCE WITH USER MANUAL.
- 8 FOR REFERENCE ONLY,NOT FOR CONSTRUCTION UNLESS CERTIFIED.
- 9 SPARE PARTS FORM JUST FOR REFERENCE,SPECIFIC FORM OF THE SPARE PART DRAWING PREVAIL;SUBJECT TO CHANGE WITHOUT NOTICE.
- 10 ALL PARTS CAN BE RECYCLED EXCEPT FRP SHELL.



13	GB/T70.1 M6×20	Locking Crescent Screw	4	304SS	
12	28x2.65G GB/T3452.1	O-ring	2~4	EPDM	
11	4005	Retaining Ring	2~4	304SS	
10	4004	Feed/Conc. Port	2~4	316LSS	
09	4013.1	Plug	1	Engineering Thermoplastic	
08	F4010	Saddle	2	Engineering Thermoplastic	
07	GB/T5782 M6x60	Strap Screw	4	304SS	
06	F4008	Strap	2	304SS-Brass and Rubber	
05	19x2.65G GB/T3452.1	O-ring	2	EPDM	
04	4011	Locking Crescent	2	304SS	
03	90x5.3G GB/T3452.1	O-ring	2	EPDM	
02	F4101	End Plate	2	Engineering Thermoplastic	
01	4012.1C-3C	Pressure Shell	1	FRP	
Ref.	Part Number	Description	Qty.	Material	Note

Shell length code	Shell number	L L.O.A MM/IN	P Part to Part (MM/IN)	S Span MM/IN	Approx assembly weight KG/LB
1	4012.1C	1183/46.6	1016/40	600/24	6.2/14
2	4012.2C	2199/86.6	2032/80	1200/47	8.5/19
3	4012.3C	3215/126.6	3048/120	2200/87	10.8/24
ROPV	DESIGN	Harbin ROPV Industrial Co., Ltd.			
	REVIEW				
	APPROVAL				
	MODEL	R4040C300S PRESSURE VESSEL(1-3)			
	DRG.	R4040C300S-00	REV.	14.2	